



# Ordering Sides

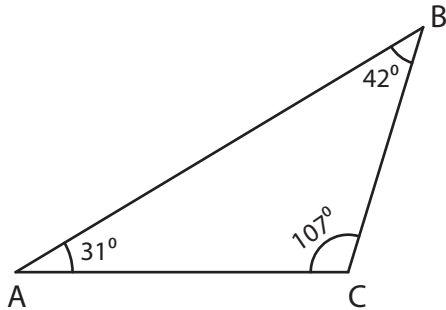
Name \_\_\_\_\_

Score \_\_\_\_\_

TI:26

Name the Shortest and longest side in each triangle.

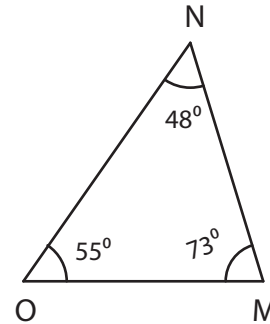
1)



Shortest side =

Longest side =

2)

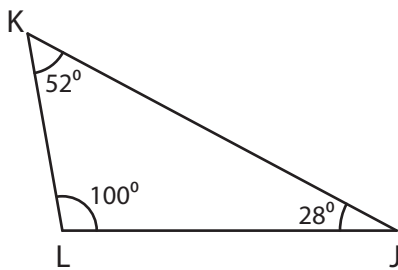


Shortest side =

Longest side =

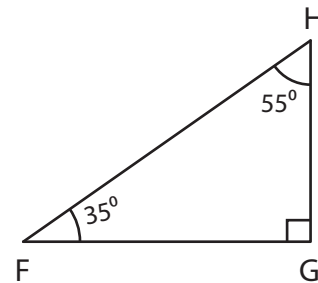
Order the sides from shortest to longest side in each triangle.

1)



\_\_\_\_\_

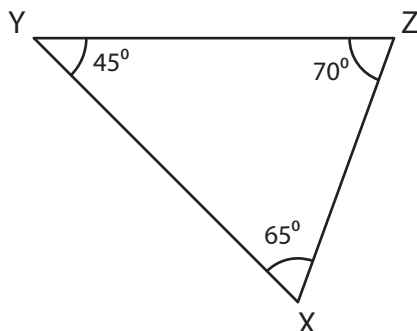
2)



\_\_\_\_\_

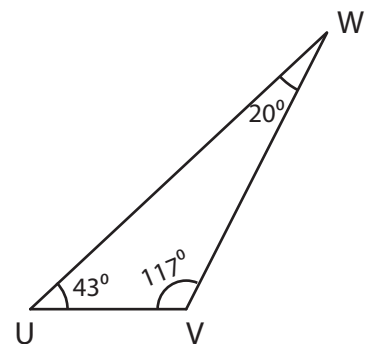
Order the sides from longest to shortest side in each triangle.

1)



\_\_\_\_\_

2)



\_\_\_\_\_



# Ordering Sides

Name \_\_\_\_\_

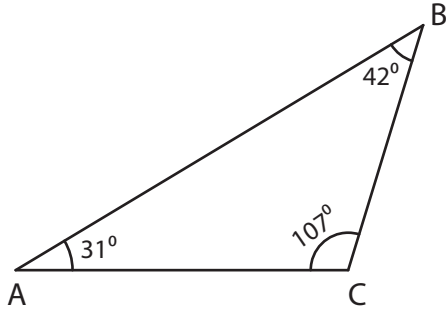
Score \_\_\_\_\_

## Answer key

TI:26

Name the Shortest and longest side in each triangle.

1)



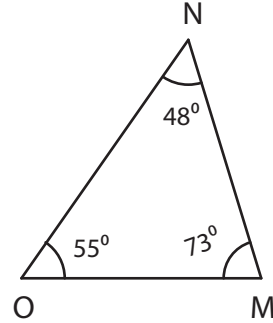
Shortest side =

**BC**

Longest side =

**AB**

2)



Shortest side =

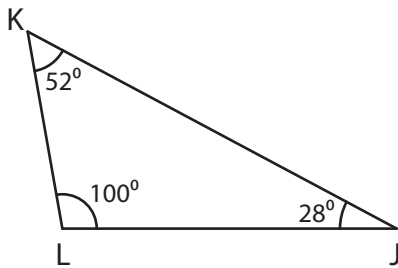
**MO**

Longest side =

**NO**

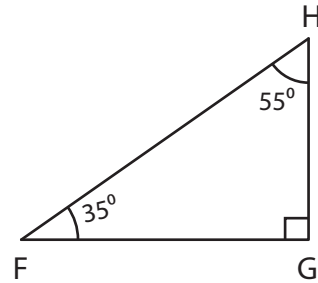
Order the sides from shortest to longest side in each triangle.

1)



**KL, JL, JK**

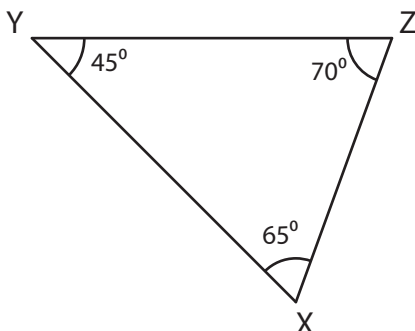
2)



**GH, FG, FH**

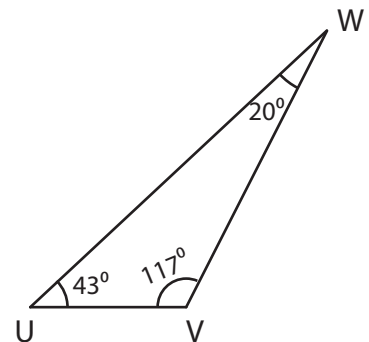
Order the sides from longest to shortest side in each triangle.

1)



**XY, YZ, XZ**

2)



**UW, VW, UV**