



Ordering Angles

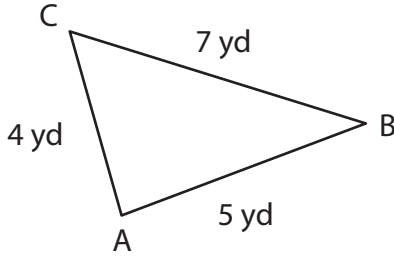
Name _____

Score _____

TI:19

Name the smallest and largest angle in each triangle.

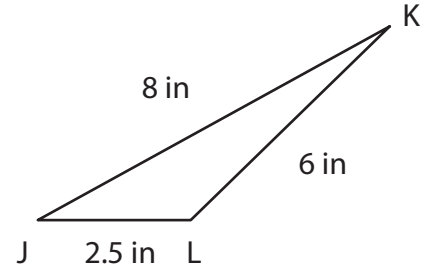
1)



Smallest angle :

Largest angle :

2)

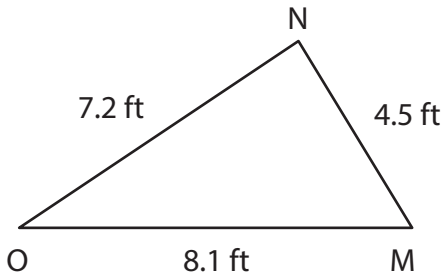


Smallest angle :

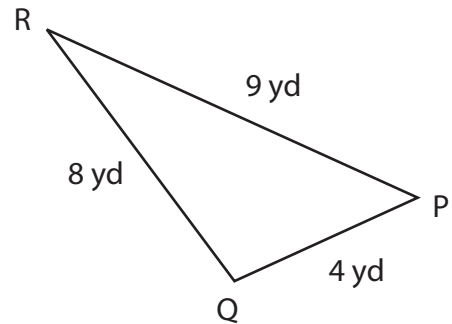
Largest angle :

Order the angles from smallest to largest angle in each triangle.

1)

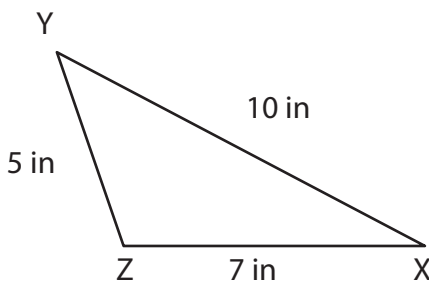


2)

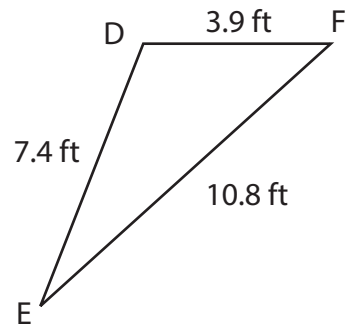


Order the angles from largest to smallest angle in each triangle.

1)



3)





Ordering Angles

Name _____

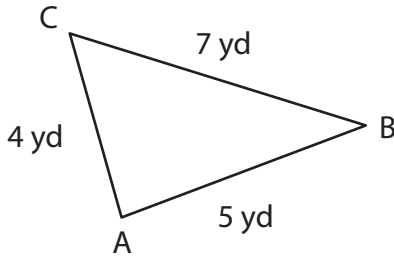
Score _____

Answer key

TI:19

Name the smallest and largest angle in each triangle.

1)



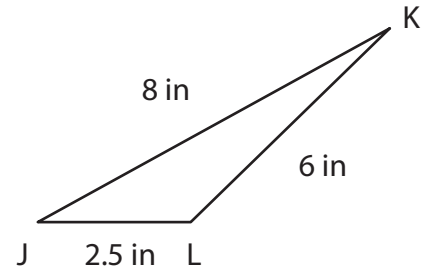
Smallest angle :

$\angle B$

Largest angle :

$\angle A$

2)



Smallest angle :

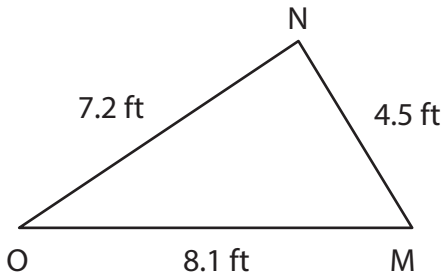
$\angle K$

Largest angle :

$\angle L$

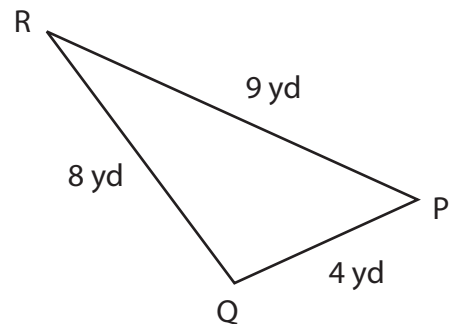
Order the angles from smallest to largest angle in each triangle.

1)



$\angle O, \angle M, \angle N$

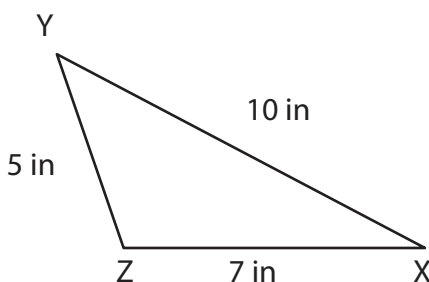
2)



$\angle R, \angle P, \angle Q$

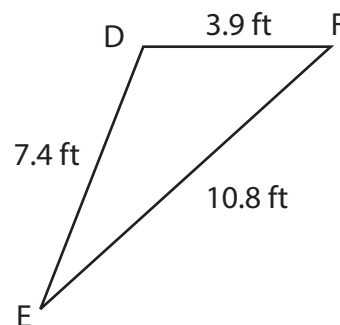
Order the angles from largest to smallest angle in each triangle.

1)



$\angle Z, \angle Y, \angle X$

3)



$\angle D, \angle F, \angle E$