



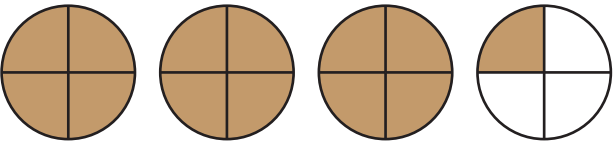
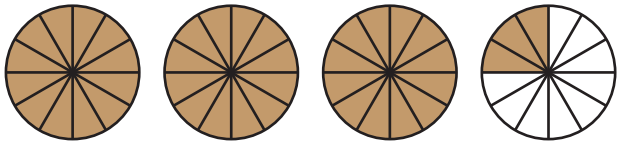
EQUIVALENT FRACTIONS

Name _____

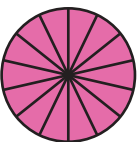
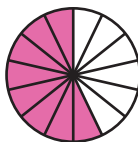
Score _____

TF:55

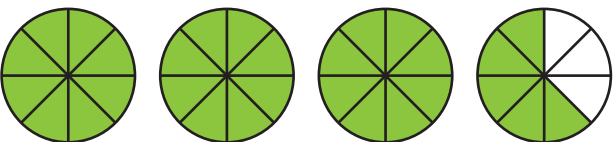
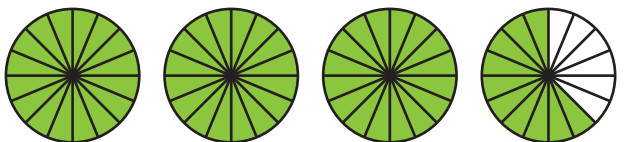
Write the equivalent fractions in mixed form for the given pies.

1)  = 

$\frac{\text{□}}{\text{□}}$ = $\frac{\text{□}}{\text{□}}$

2)  = 

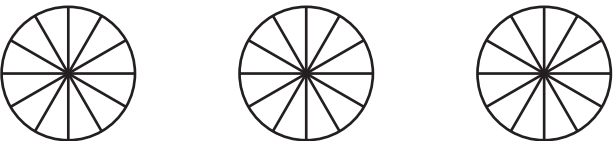
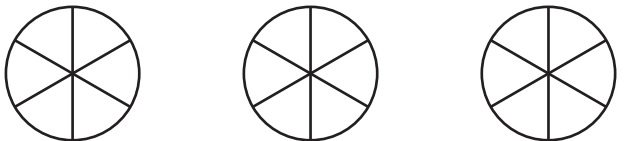
$\frac{\text{□}}{\text{□}}$ = $\frac{\text{□}}{\text{□}}$

3)  = 

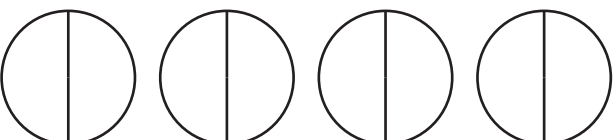
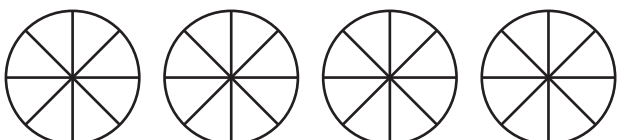
$\frac{\text{□}}{\text{□}}$ = $\frac{\text{□}}{\text{□}}$

Color the pies for the given equivalent fractions.

1) $2\frac{6}{12}$ = $2\frac{3}{6}$

 = 

2) $3\frac{1}{2}$ = $3\frac{4}{8}$

 = 



EQUIVALENT FRACTIONS

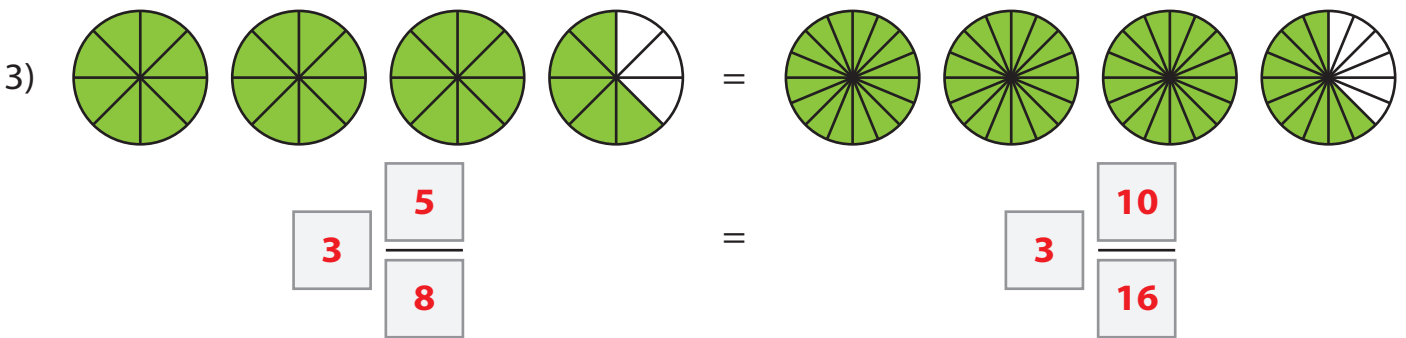
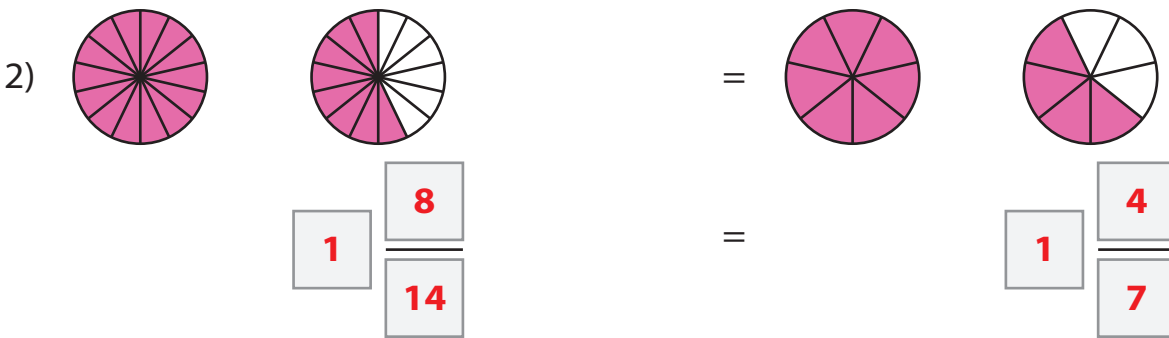
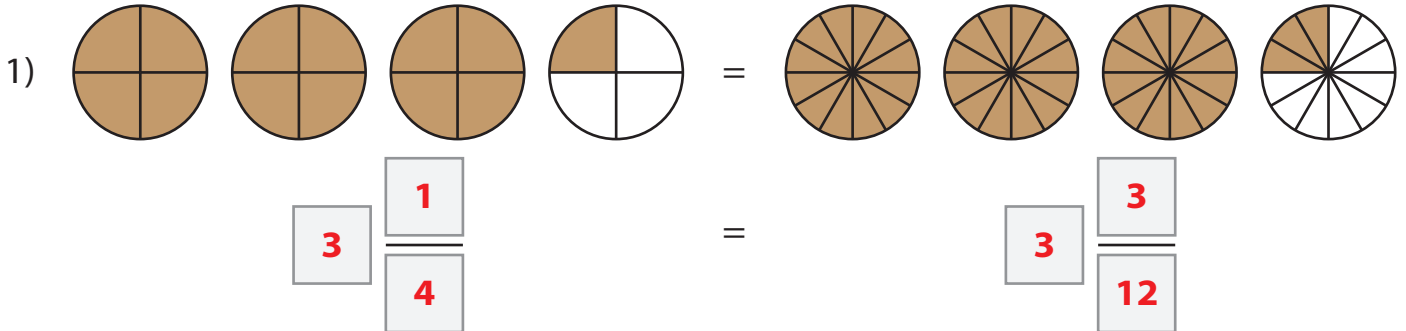
Name _____

Score _____

Answer key

TF:55

Write the equivalent fractions in mixed form for the given pies.



Color the pies for the given equivalent fractions.

