



Inverse Trigonometric Ratios

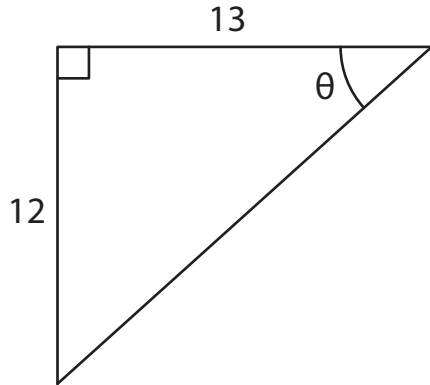
Name _____

Score _____

QR:19

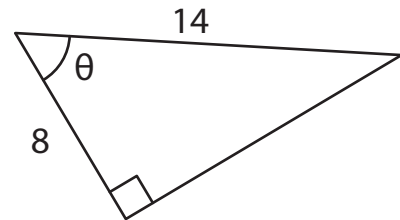
Use the trigonometric ratios to find the indicated angle. Round the answer to nearest degree.

1)



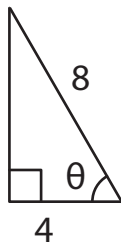
$\theta =$

2)



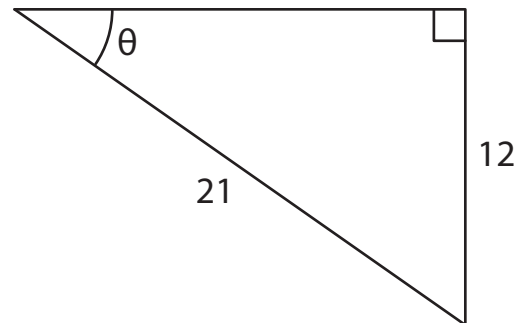
$\theta =$

3)



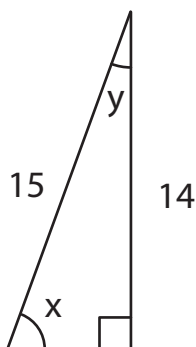
$\theta =$

4)



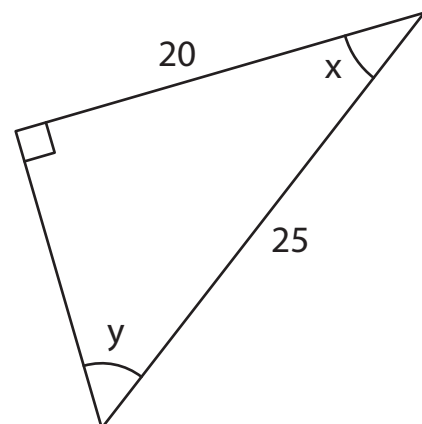
$\theta =$

5)



$x =$ _____ $y =$ _____

6)



$x =$ _____ $y =$ _____



Inverse Trigonometric Ratios

Name _____

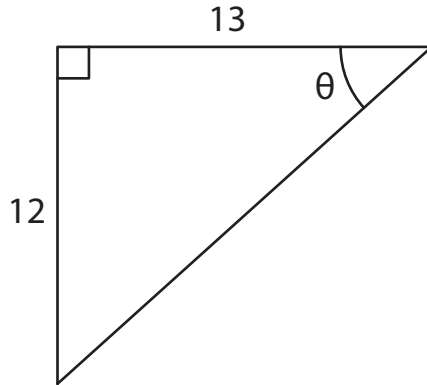
Score _____

Answer key

QR:19

Use the trigonometric ratios to find the indicated angle. Round the answer to nearest degree.

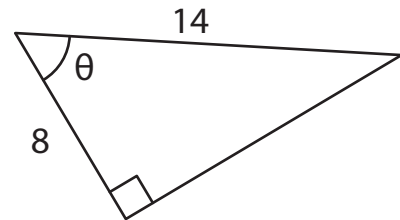
1)



$\theta =$

43°

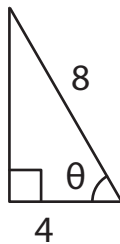
2)



$\theta =$

55°

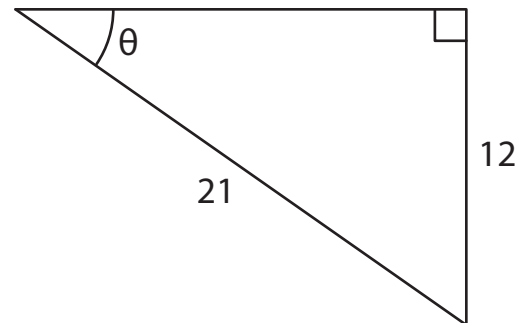
3)



$\theta =$

60°

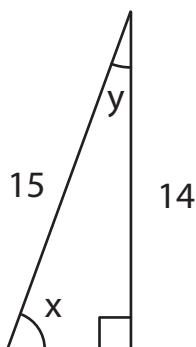
4)



$\theta =$

35°

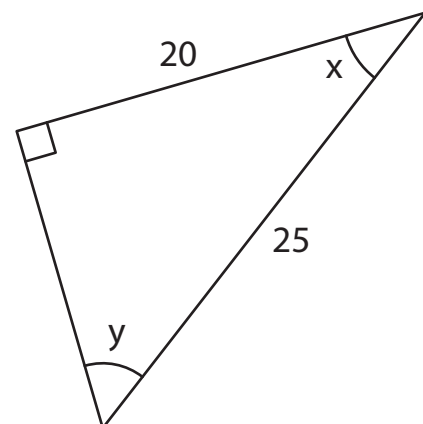
5)



$x =$ **69°**

$y =$ **21°**

6)



$x =$ **37°**

$y =$ **53°**