



Trigonometric Ratios - Missing Sides

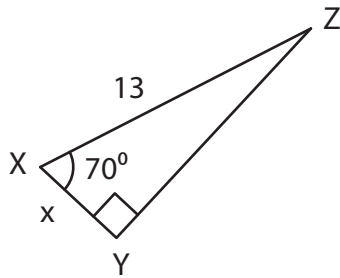
Name _____

Score _____

QR:15

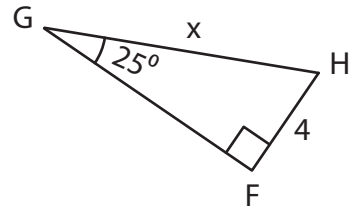
Use the trigonometric ratios to find missing sides in each right triangles. Round the answer to whole number.

1)



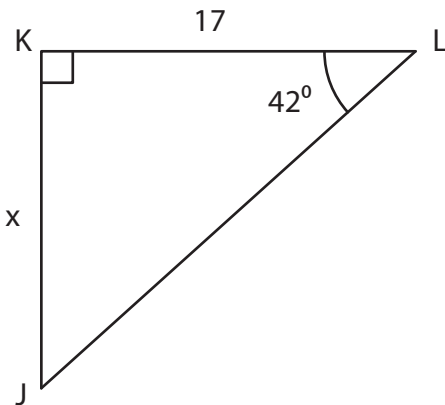
$x =$ _____

2)



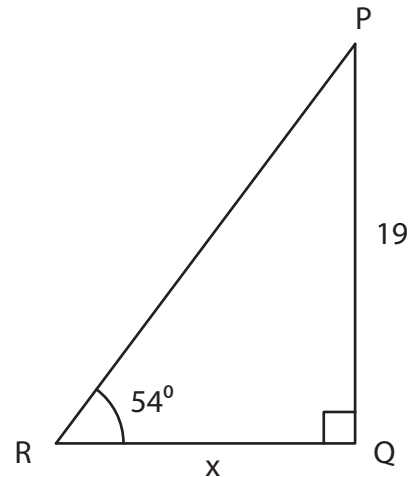
$x =$ _____

3)



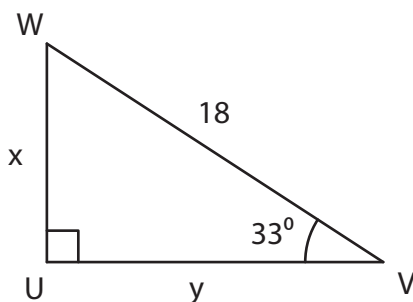
$x =$ _____

4)



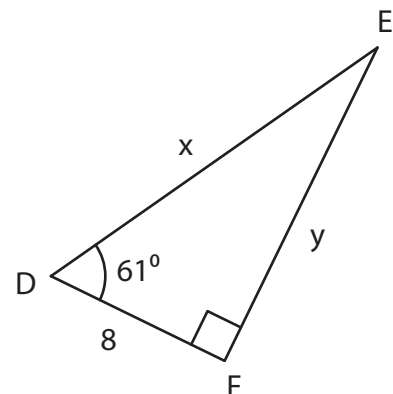
$x =$ _____

5)



$x =$ _____ $y =$ _____

6)



$x =$ _____ $y =$ _____

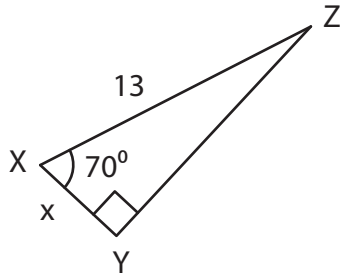


Answer key

QR:15

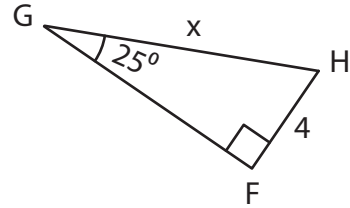
Use the trigonometric ratios to find missing sides in each right triangles. Round the answer to whole number.

1)



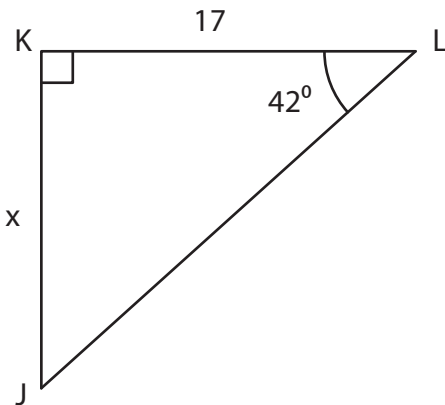
$$x = \underline{\quad 5 \quad}$$

2)



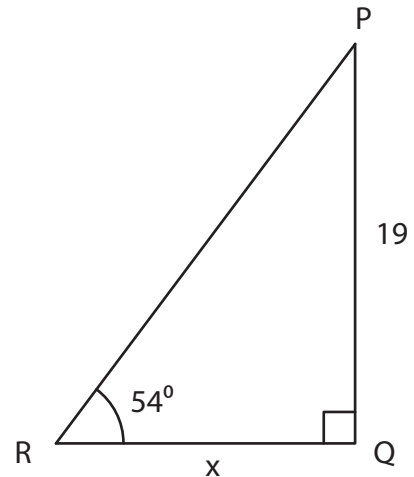
$$x = \underline{\quad 9 \quad}$$

3)



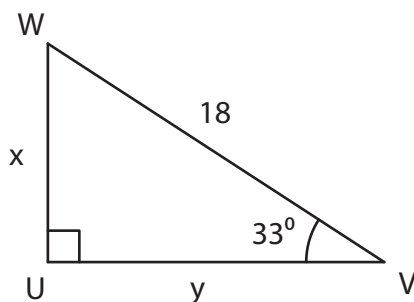
$$x = \underline{\quad 15 \quad}$$

4)



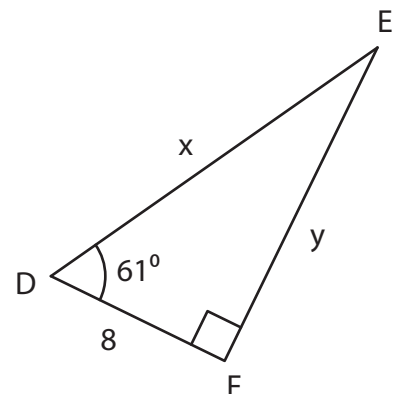
$$x = \underline{\quad 14 \quad}$$

5)



$$x = \underline{\quad 10 \quad} \quad y = \underline{\quad 15 \quad}$$

6)



$$x = \underline{\quad 17 \quad} \quad y = \underline{\quad 14 \quad}$$