



Trigonometric Ratios

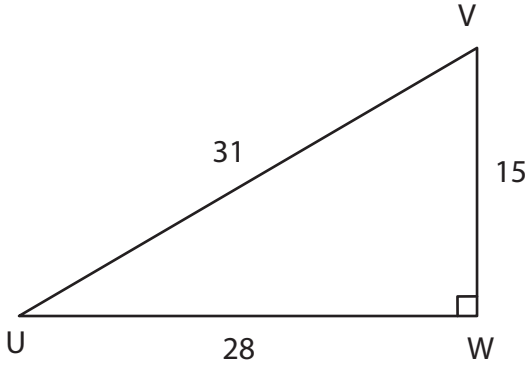
Name _____

Score _____

QR:09

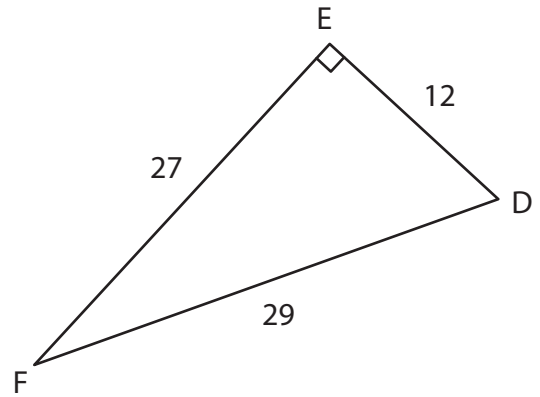
Find the trigonometric ratios. Round the answer to three decimal places.

1)



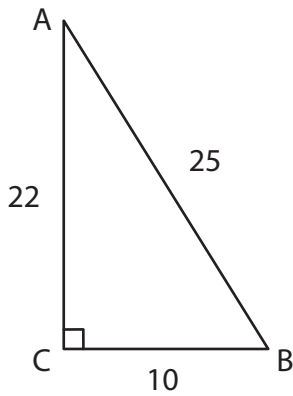
$\tan V =$ _____

2)



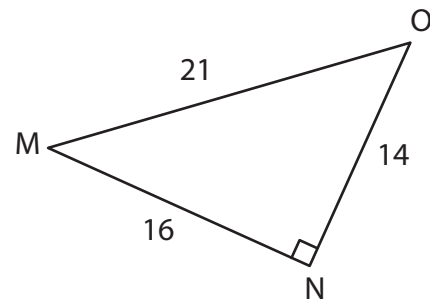
$\sin F =$ _____

3)



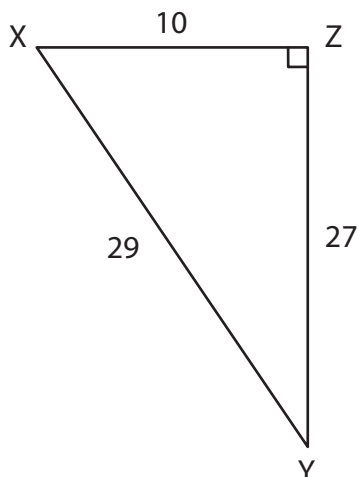
$\cos A =$ _____

4)



$\tan M =$ _____

5)



$\sin Y =$ _____

$\operatorname{cosec} Y =$ _____

$\cos Y =$ _____

$\sec Y =$ _____

$\tan Y =$ _____

$\cot Y =$ _____



Trigonometric Ratios

Name _____

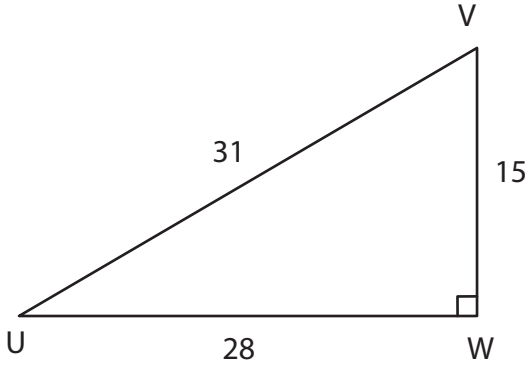
Score _____

Answer key

QR:09

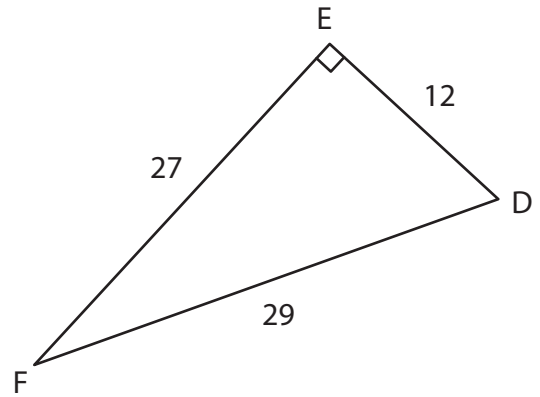
Find the trigonometric ratios. Round the answer to three decimal places.

1)



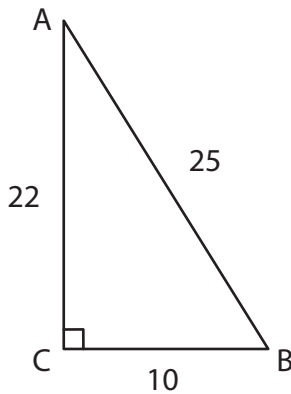
$$\tan V = \underline{\quad 1.867 \quad}$$

2)



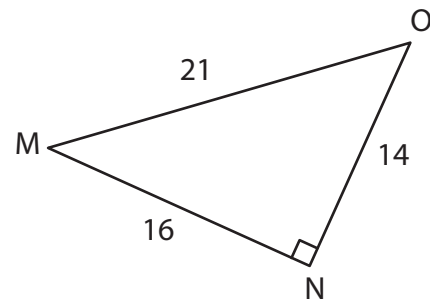
$$\sin F = \underline{\quad 0.414 \quad}$$

3)



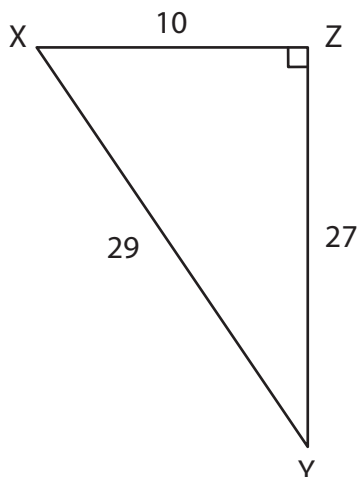
$$\cos A = \underline{\quad 0.88 \quad}$$

4)



$$\tan M = \underline{\quad 0.875 \quad}$$

5)



$$\sin Y = \underline{\quad 0.345 \quad}$$

$$\operatorname{cosec} Y = \underline{\quad 2.9 \quad}$$

$$\cos Y = \underline{\quad 0.931 \quad}$$

$$\sec Y = \underline{\quad 1.074 \quad}$$

$$\tan Y = \underline{\quad 0.37 \quad}$$

$$\cot Y = \underline{\quad 2.7 \quad}$$