



Trigonometric Ratios

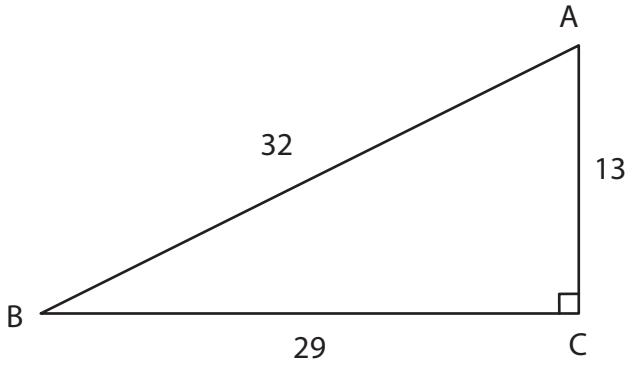
Name _____

Score _____

QR:07

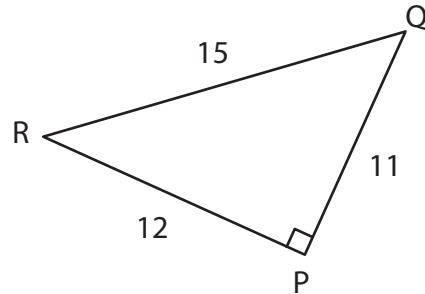
Find the trigonometric ratios. Round the answer to three decimal places.

1)



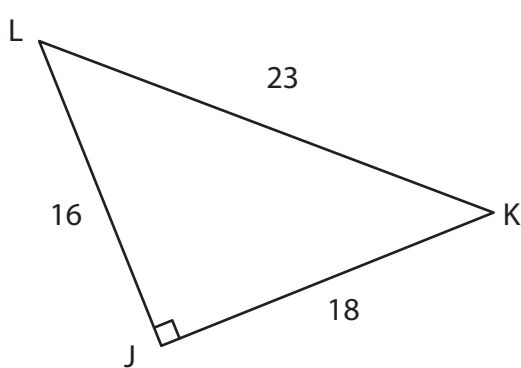
$$\sin B = \underline{\hspace{2cm}}$$

2)



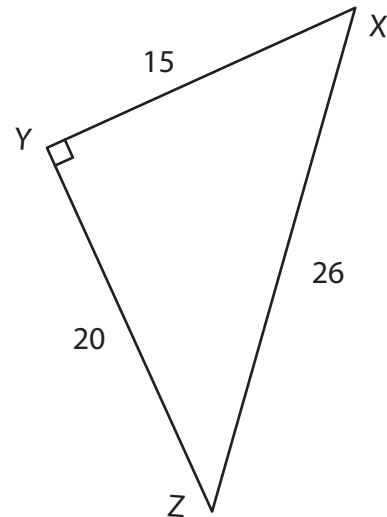
$$\tan R = \underline{\hspace{2cm}}$$

3)



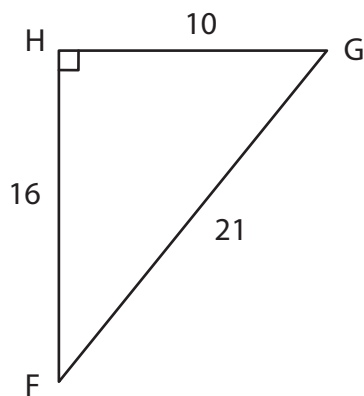
$$\cos K = \underline{\hspace{2cm}}$$

4)



$$\cot Z = \underline{\hspace{2cm}}$$

5)



$$\sin G = \underline{\hspace{2cm}}$$

$$\operatorname{cosec} G = \underline{\hspace{2cm}}$$

$$\cos G = \underline{\hspace{2cm}}$$

$$\sec G = \underline{\hspace{2cm}}$$

$$\tan F = \underline{\hspace{2cm}}$$

$$\cot F = \underline{\hspace{2cm}}$$



Trigonometric Ratios

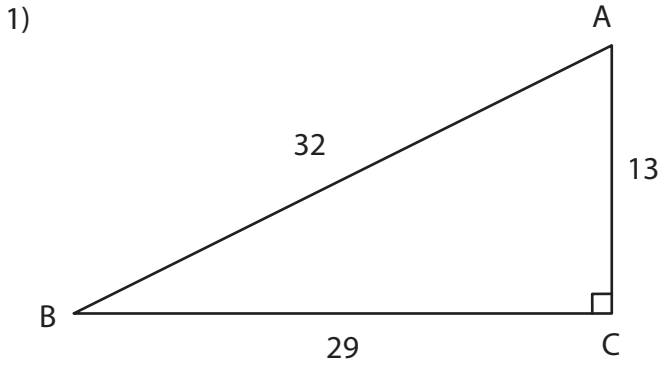
Name _____

Score _____

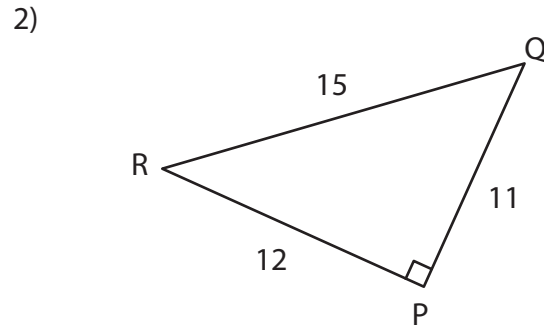
Answer key

QR:07

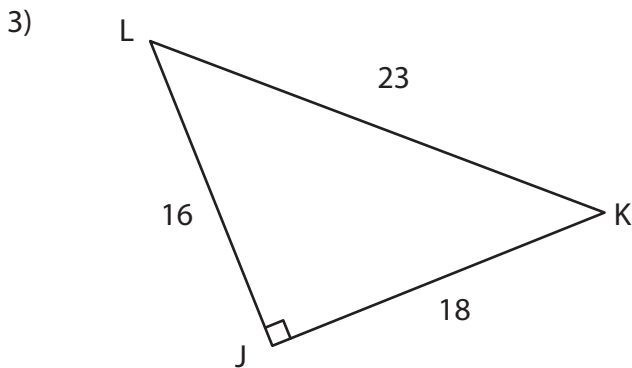
Find the trigonometric ratios. Round the answer to three decimal places.



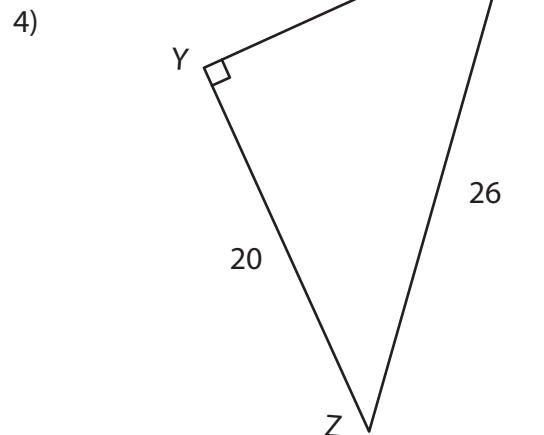
$$\sin B = \underline{\quad 0.406 \quad}$$



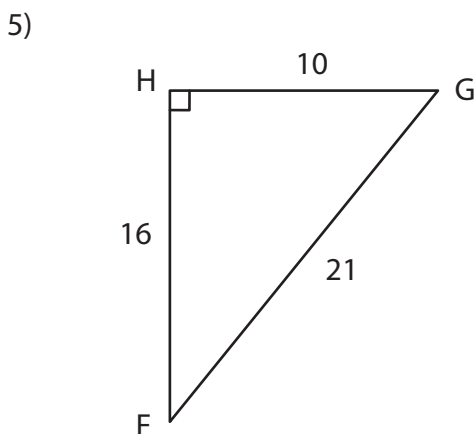
$$\tan R = \underline{\quad 0.917 \quad}$$



$$\cos K = \underline{\quad 0.783 \quad}$$



$$\cot Z = \underline{\quad 1.333 \quad}$$



$$\sin G = \underline{\quad 0.762 \quad}$$

$$\operatorname{cosec} G = \underline{\quad 1.313 \quad}$$

$$\cos G = \underline{\quad 0.476 \quad}$$

$$\sec G = \underline{\quad 2.1 \quad}$$

$$\tan F = \underline{\quad 0.625 \quad}$$

$$\cot F = \underline{\quad 1.6 \quad}$$