



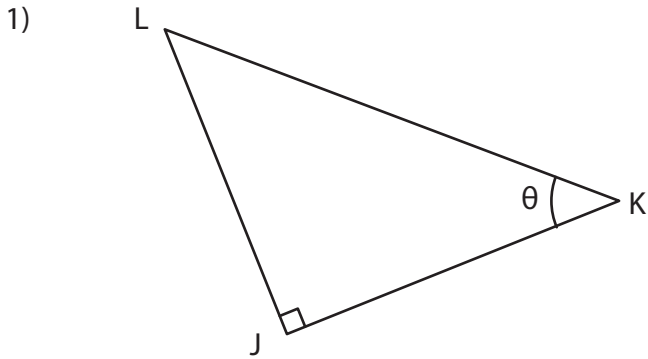
Trigonometric Ratios

Name _____

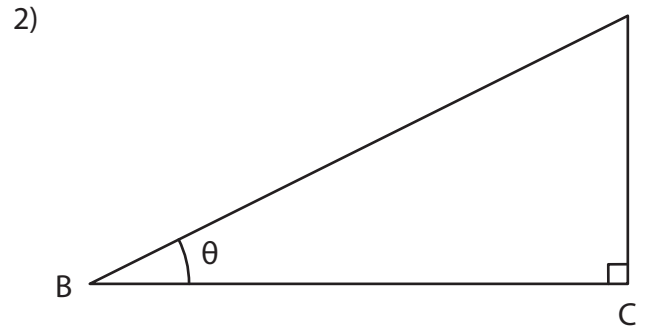
Score _____

QR:06

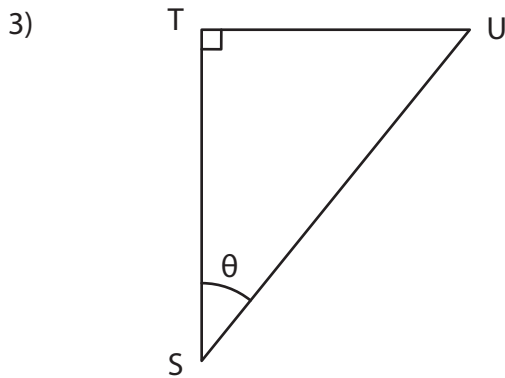
Find the trigonometric ratios using segments.



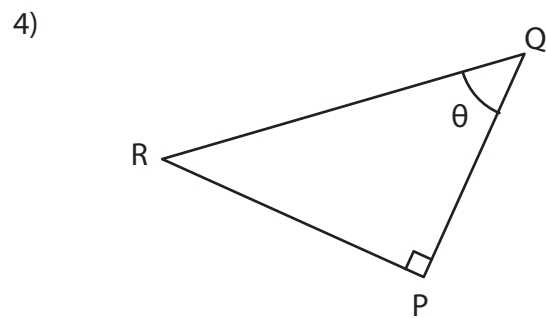
$\sin \theta =$



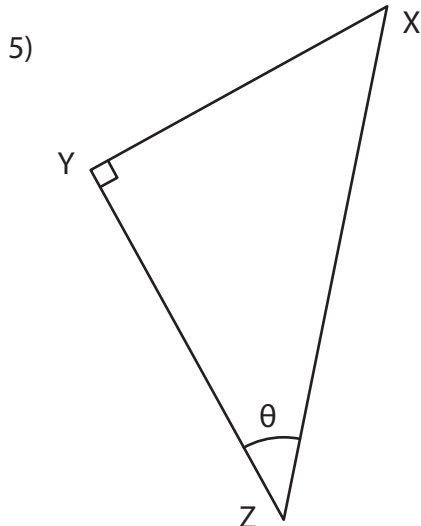
$\cos \theta =$



$\tan \theta =$



$\sec \theta =$



$\sin \theta =$

$\operatorname{cosec} \theta =$

$\cos \theta =$

$\sec \theta =$

$\tan \theta =$

$\cot \theta =$



Trigonometric Ratios

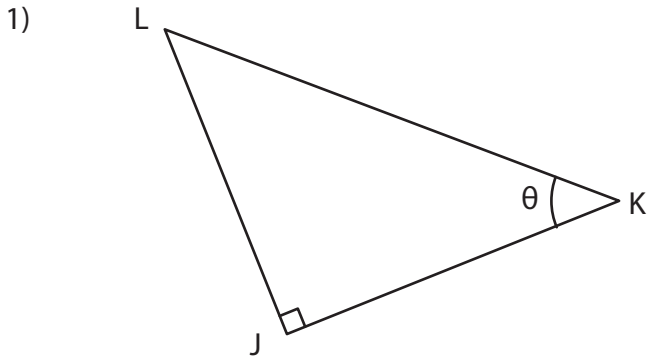
Name _____

Score _____

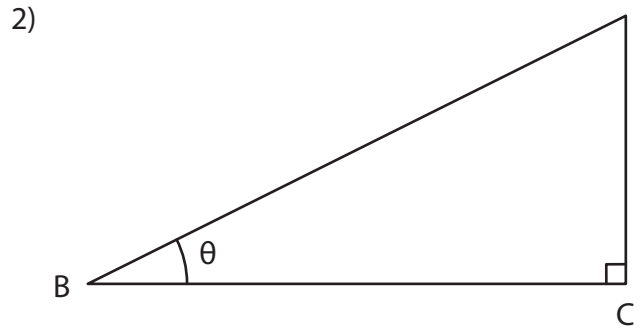
Answer key

QR:06

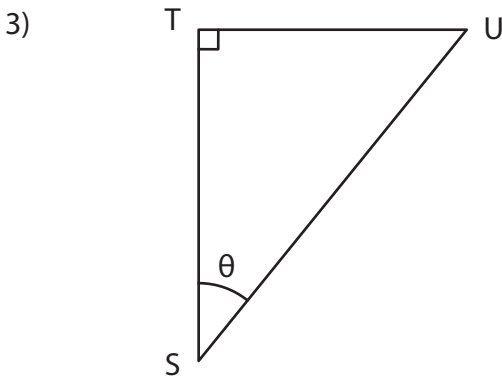
Find the trigonometric ratios using segments.



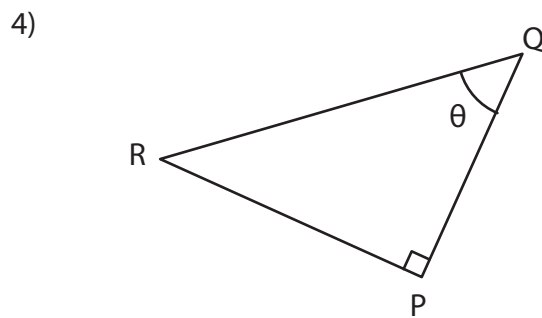
$$\sin \theta = \frac{JL}{LK}$$



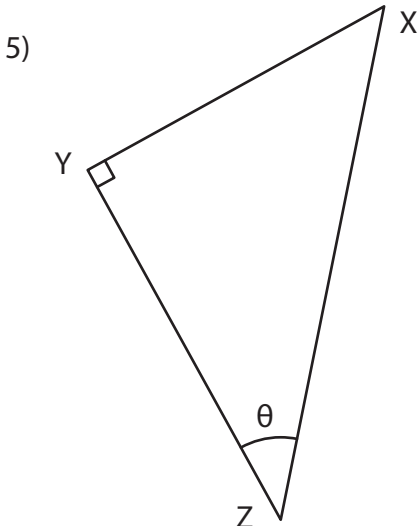
$$\cos \theta = \frac{BC}{AB}$$



$$\tan \theta = \frac{TU}{ST}$$



$$\sec \theta = \frac{QR}{PQ}$$



$$\sin \theta = \frac{XY}{XZ}$$

$$\operatorname{cosec} \theta = \frac{XZ}{XY}$$

$$\cos \theta = \frac{YZ}{XZ}$$

$$\sec \theta = \frac{XZ}{YZ}$$

$$\tan \theta = \frac{XY}{YZ}$$

$$\cot \theta = \frac{YZ}{XY}$$