



Trigonometric Ratios

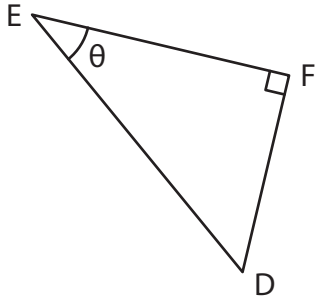
Name _____

Score _____

QR:04

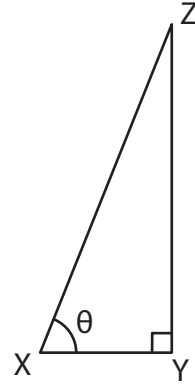
Find the trigonometric ratios using segments.

1)



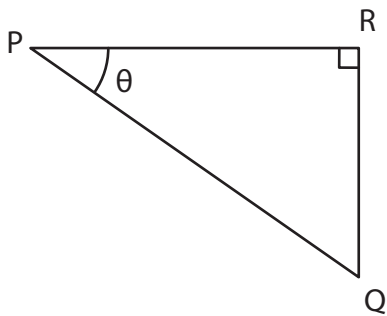
$\tan \theta =$

2)



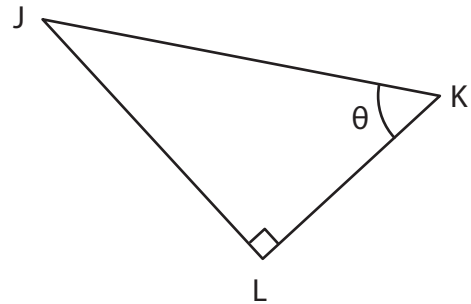
$\sin \theta =$

3)



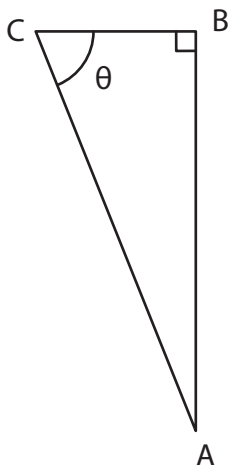
$\cos \theta =$

4)



$\cot \theta =$

5)



$\sin \theta =$

$\operatorname{cosec} \theta =$

$\cos \theta =$

$\sec \theta =$

$\tan \theta =$

$\cot \theta =$



Trigonometric Ratios

Name _____

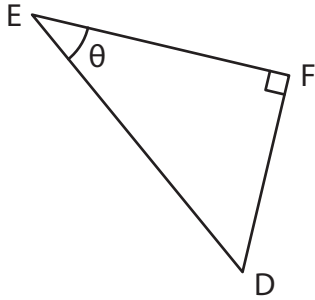
Score _____

Answer key

QR:04

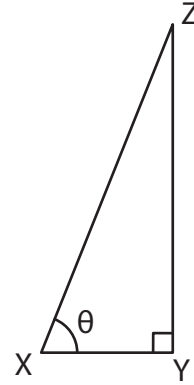
Find the trigonometric ratios using segments.

1)



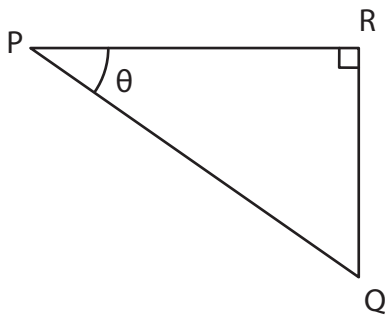
$$\tan \theta = \frac{DF}{EF}$$

2)



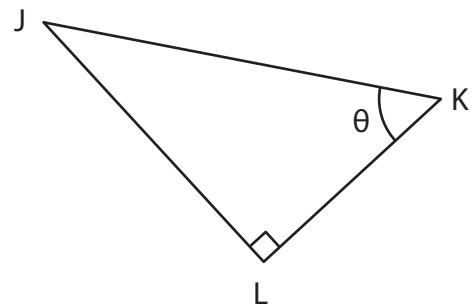
$$\sin \theta = \frac{YZ}{XZ}$$

3)



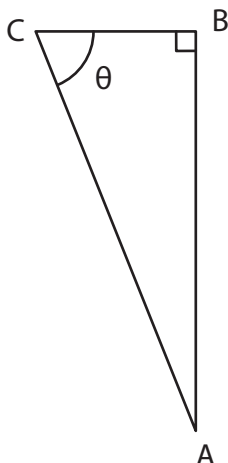
$$\cos \theta = \frac{PR}{PQ}$$

4)



$$\cot \theta = \frac{KL}{JL}$$

5)



$$\sin \theta = \frac{AB}{AC}$$

$$\operatorname{cosec} \theta = \frac{AC}{AB}$$

$$\cos \theta = \frac{BC}{AC}$$

$$\sec \theta = \frac{AC}{BC}$$

$$\tan \theta = \frac{AB}{BC}$$

$$\cot \theta = \frac{BC}{AB}$$