



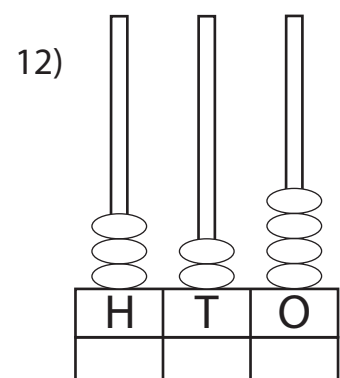
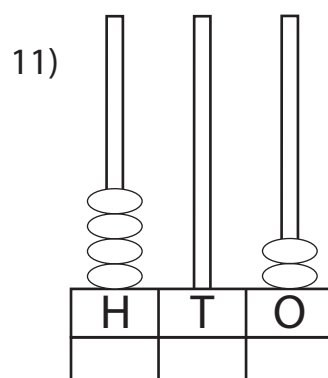
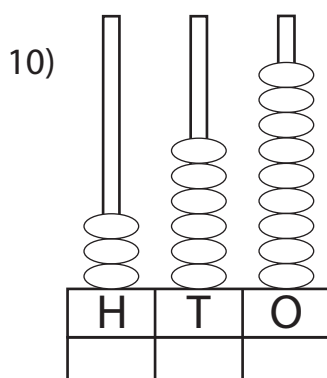
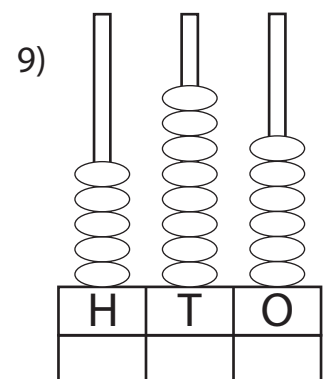
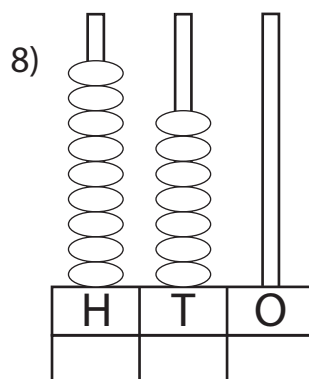
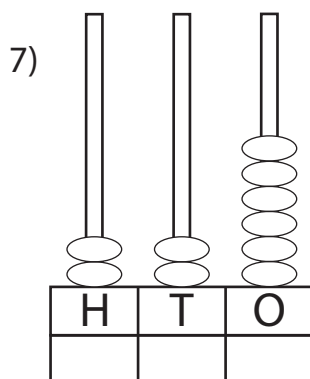
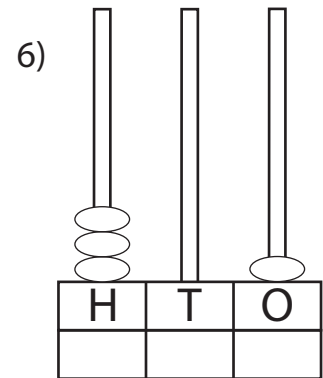
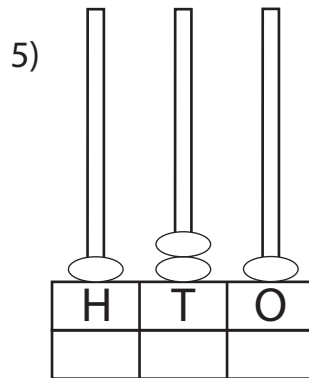
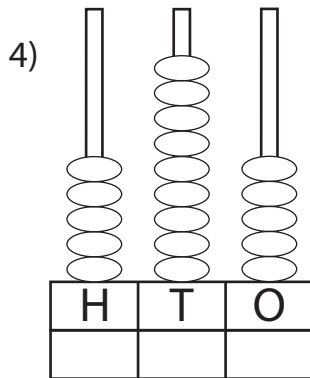
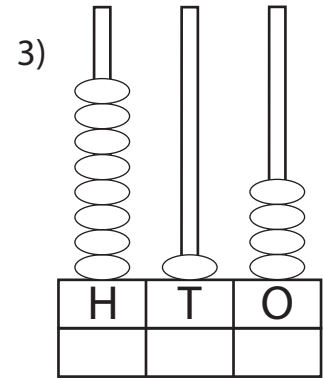
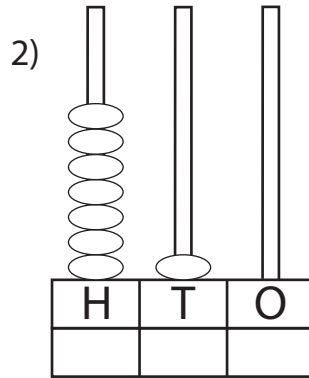
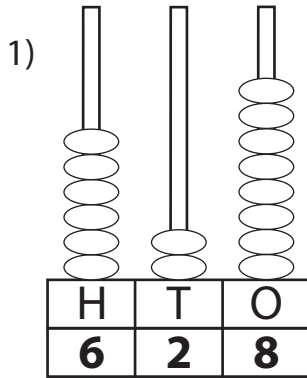
PLACE VALUE-ABACUS

Name _____

Score _____

PV:II:38

Write the numbers shown on each abacus.





PLACE VALUE-ABACUS

Name _____

Score _____

Answer key

PV:II:38

Write the numbers shown on each abacus.

