



Pythagorean Theorem

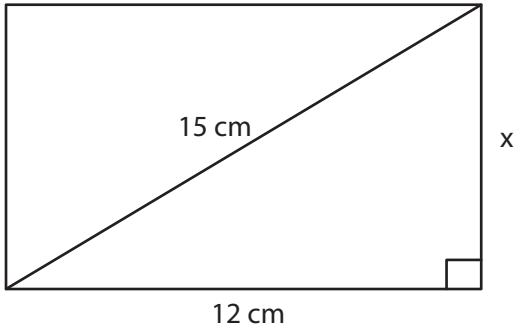
Name _____

Score _____

PT:27

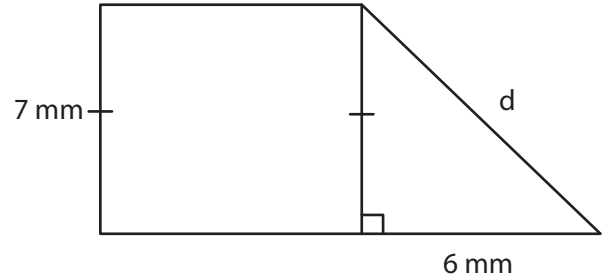
Find the missing side length in each shape by applying the Pythagorean theorem. Round the answer to the nearest tenth place.

1)



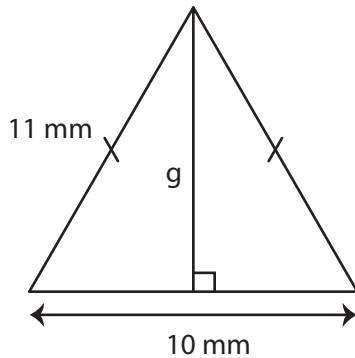
x =

4)



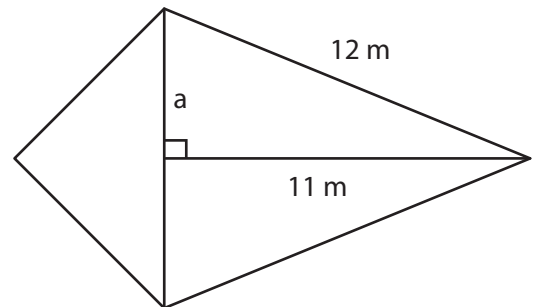
d =

2)



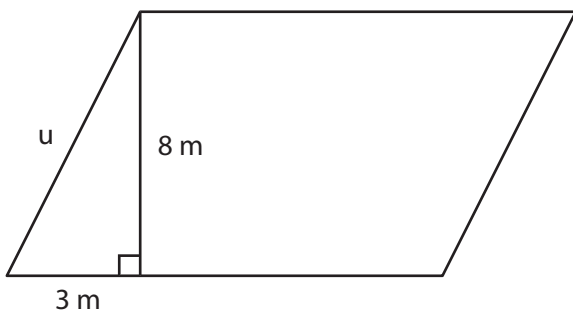
g =

5)



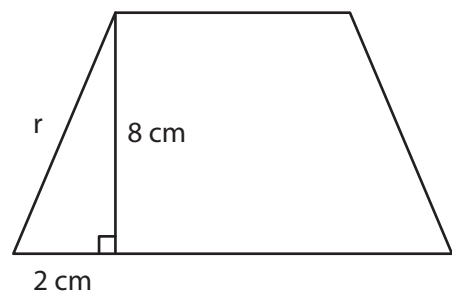
a =

3)



u =

6)



r =



Pythagorean Theorem

Name _____

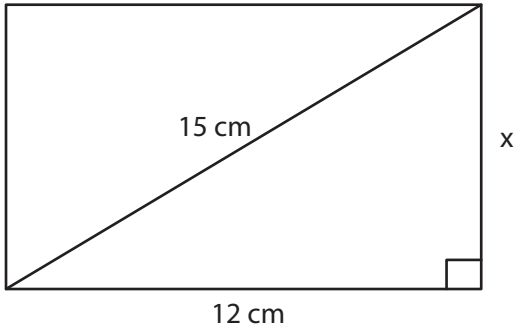
Score _____

Answer key

PT:27

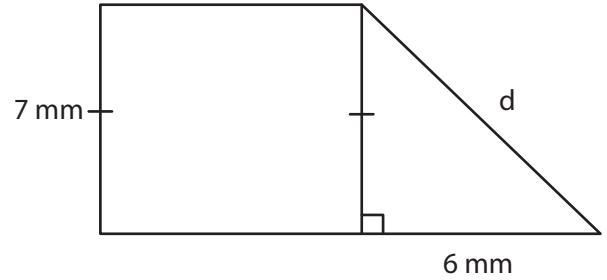
Find the missing side length in each shape by applying the Pythagorean theorem. Round the answer to the nearest tenth place.

1)



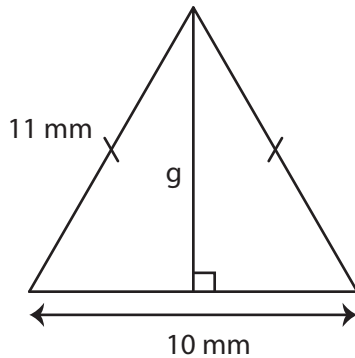
$x = 9 \text{ cm}$

4)



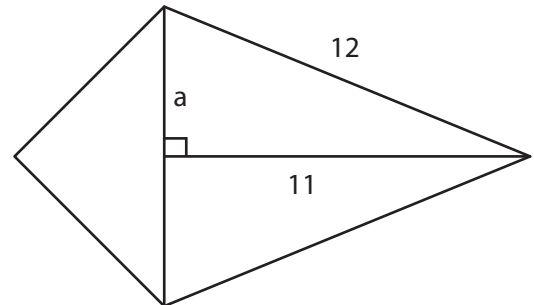
$d = 9.2 \text{ mm}$

2)



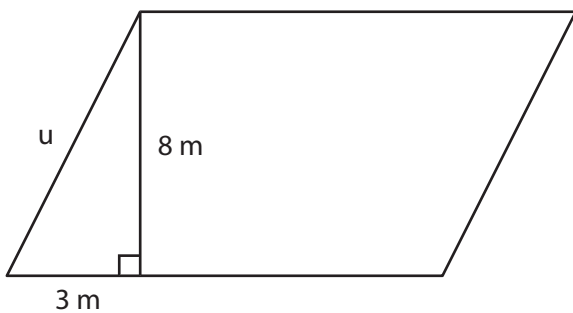
$g = 9.8 \text{ mm}$

5)



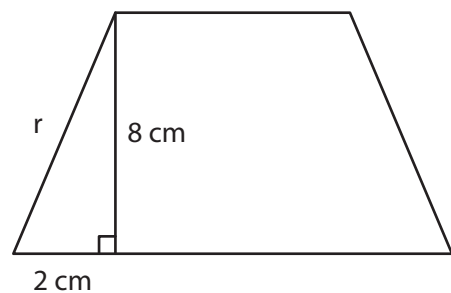
$a = 4.8 \text{ m}$

3)



$u = 8.5 \text{ m}$

6)



$r = 8.2 \text{ cm}$