



Pythagorean Theorem

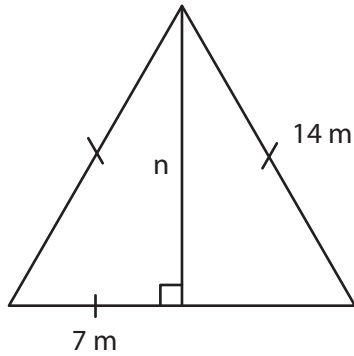
Name _____

Score _____

PT:26

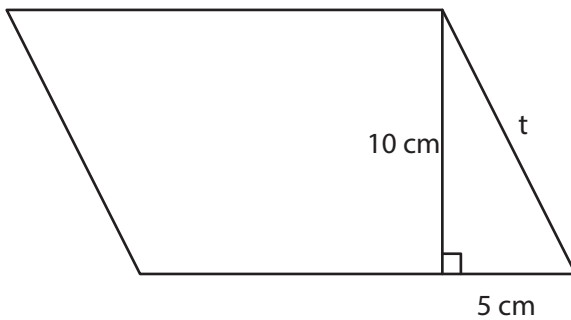
Find the missing side length in each shape by applying the Pythagorean theorem. Round the answer to the nearest tenth place.

1)



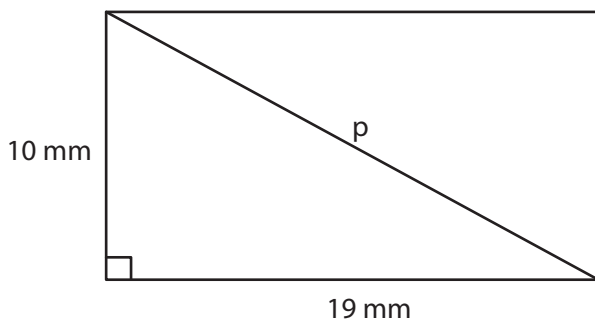
n =

2)



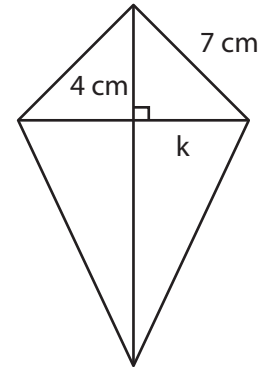
t =

3)



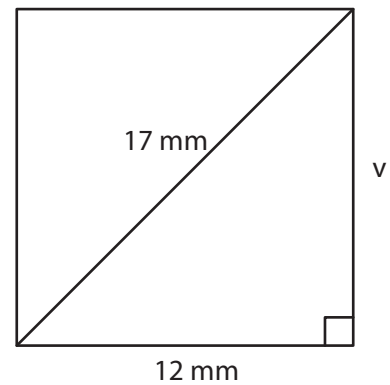
p =

4)



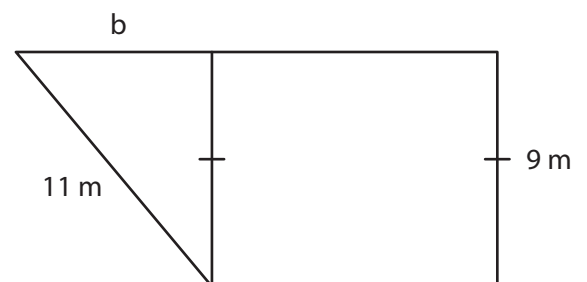
k =

5)



v =

6)



b =



Pythagorean Theorem

Name _____

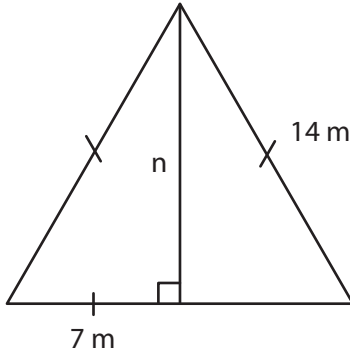
Score _____

Answer key

PT:26

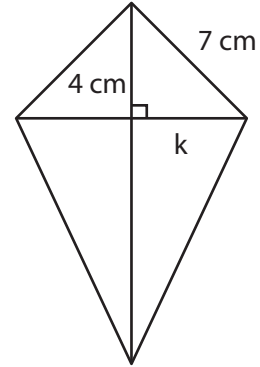
Find the missing side length in each shape by applying the Pythagorean theorem. Round the answer to the nearest tenth place.

1)



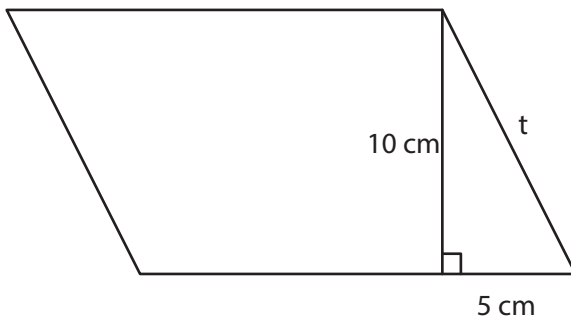
$n = 12.1 \text{ m}$

4)



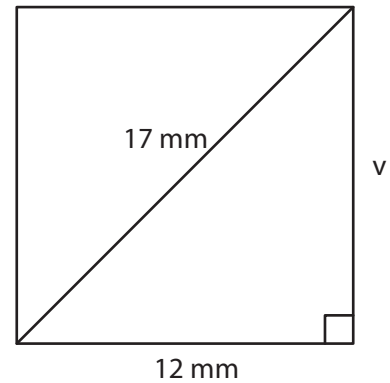
$k = 5.7 \text{ cm}$

2)



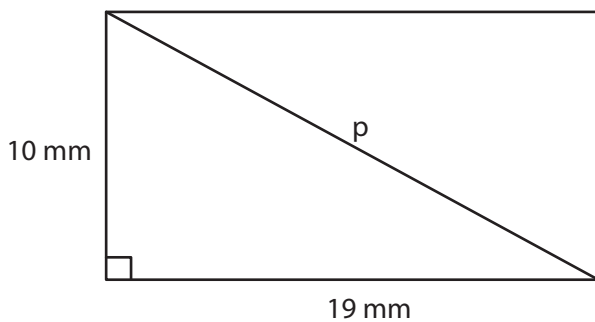
$t = 11.2 \text{ cm}$

5)



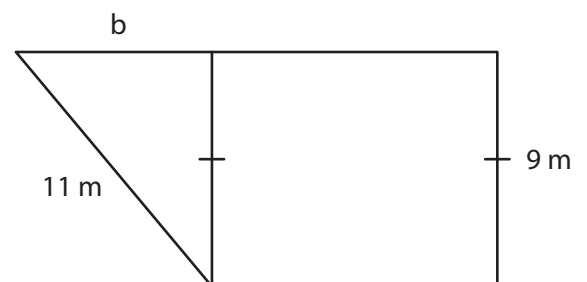
$v = 12 \text{ mm}$

3)



$p = 21.5 \text{ mm}$

6)



$b = 6.3 \text{ m}$