



Pythagorean Theorem

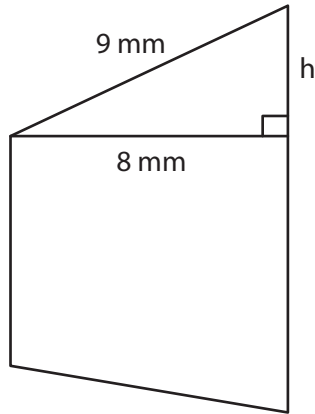
Name _____

Score _____

PT:25

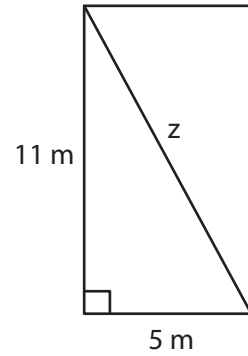
Find the missing side length in each shape by applying the Pythagorean theorem. Round the answer to the nearest tenth place.

1)



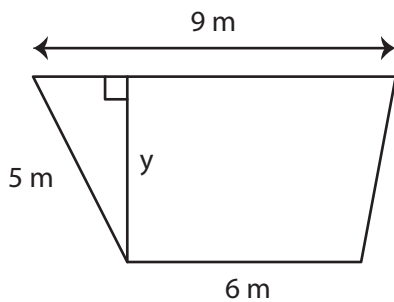
$h =$

4)



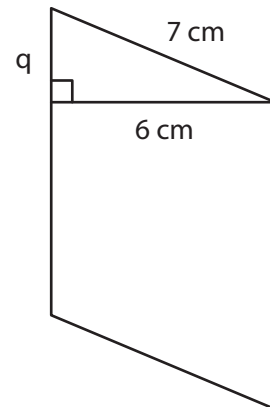
$z =$

2)



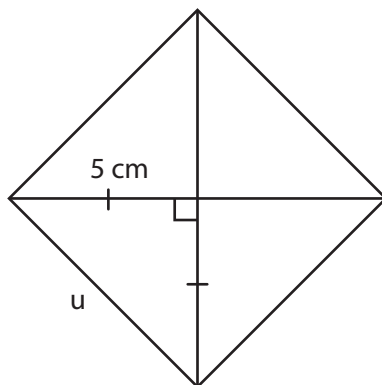
$y =$

5)



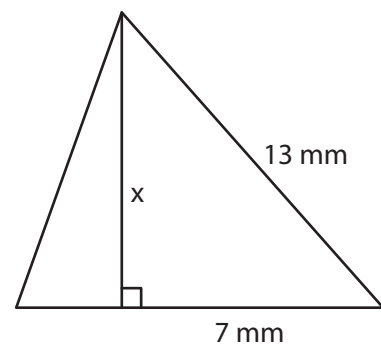
$q =$

3)



$u =$

6)



$x =$



Pythagorean Theorem

Name _____

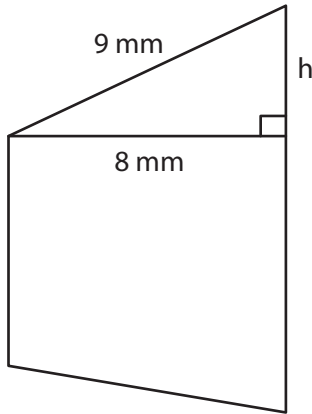
Score _____

Answer key

PT:25

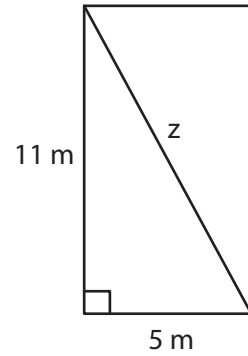
Find the missing side length in each shape by applying the Pythagorean theorem. Round the answer to the nearest tenth place.

1)



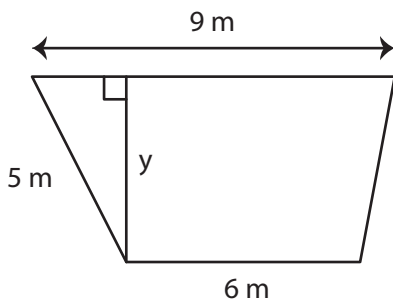
$h = 4.1 \text{ mm}$

4)



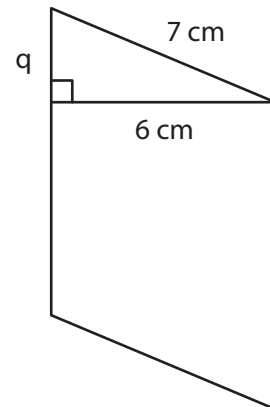
$z = 12.1 \text{ m}$

2)



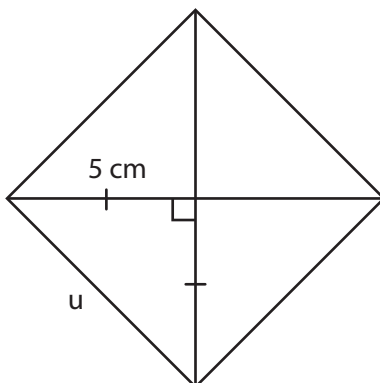
$y = 4 \text{ m}$

5)



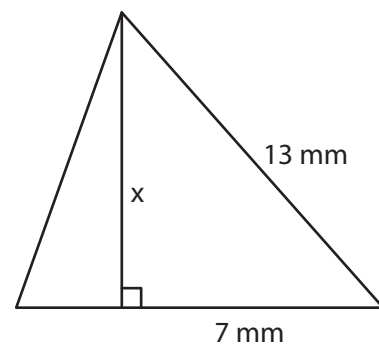
$q = 3.6 \text{ cm}$

3)



$u = 7.1 \text{ cm}$

6)



$x = 11 \text{ mm}$