



Pythagorean Theorem

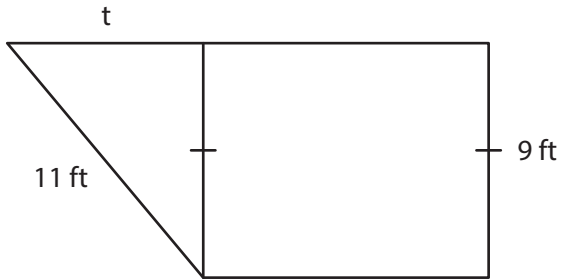
Name _____

Score _____

PT:24

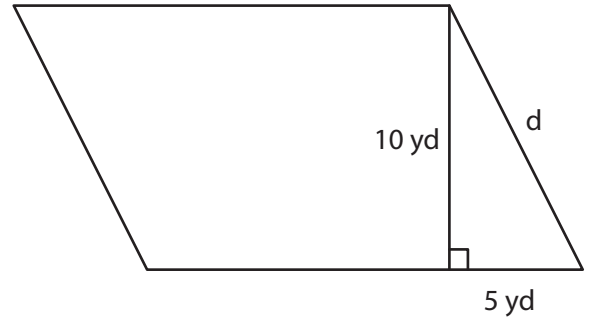
Find the missing side length in each shape by applying the Pythagorean theorem. Round the answer to the nearest tenth place.

1)



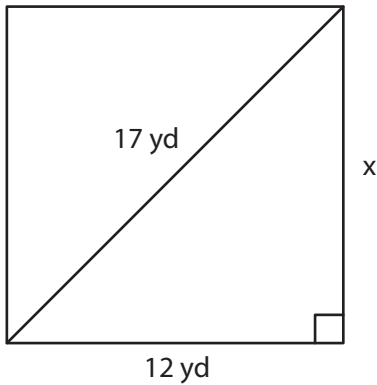
t =

2)



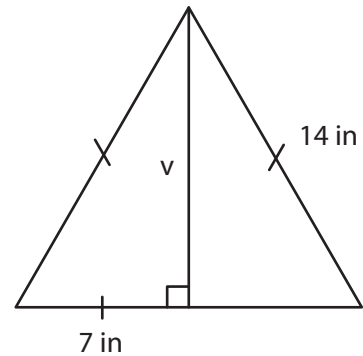
d =

3)



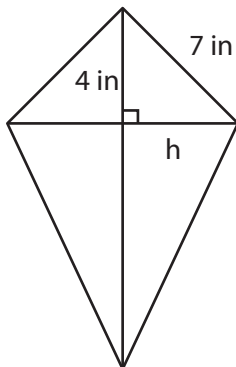
x =

4)



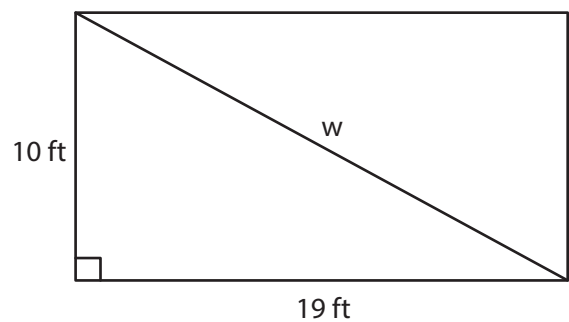
v =

5)



h =

6)



w =



Pythagorean Theorem

Name _____

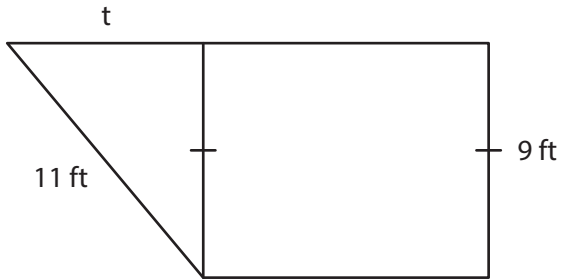
Score _____

Answer key

PT:24

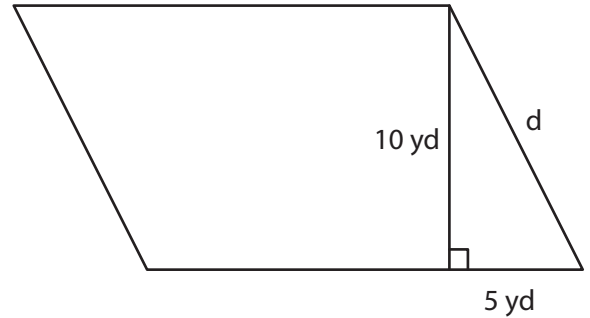
Find the missing side length in each shape by applying the Pythagorean theorem. Round the answer to the nearest tenth place.

1)



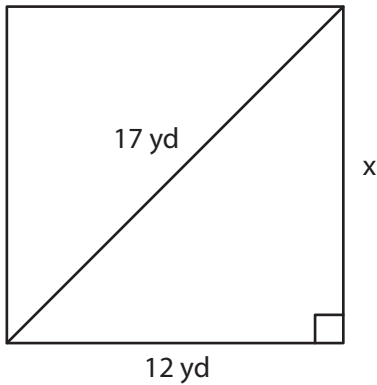
$t =$ **6.3 ft**

2)



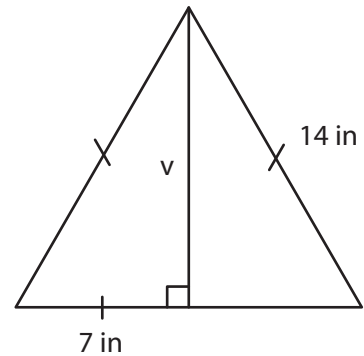
$d =$ **11.2 yd**

3)



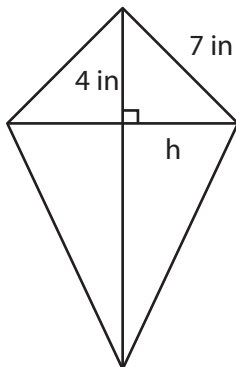
$x =$ **12 yd**

4)



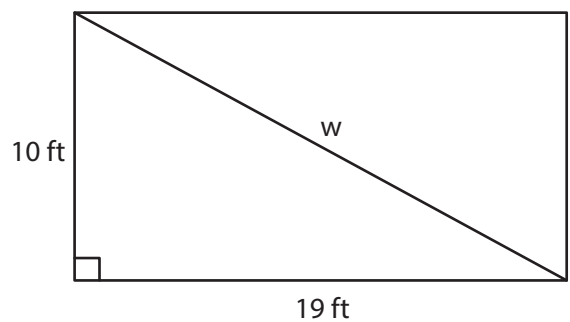
$v =$ **12.1 in**

5)



$h =$ **5.7 in**

6)



$w =$ **21.5 ft**