



Pythagorean Theorem

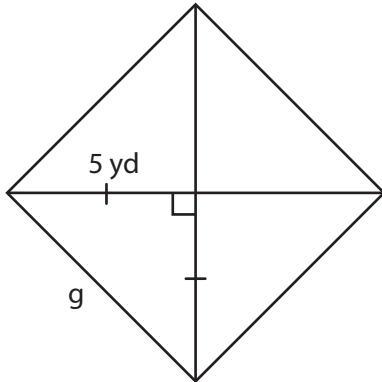
Name _____

Score _____

PT:23

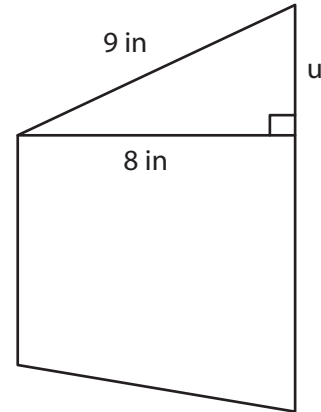
Find the missing side length in each shape by applying the Pythagorean theorem. Round the answer to the nearest tenth place.

1)



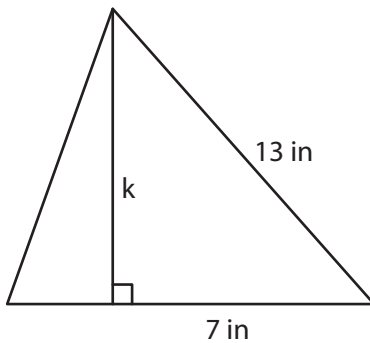
$g =$

2)



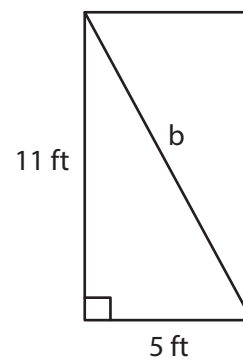
$u =$

3)



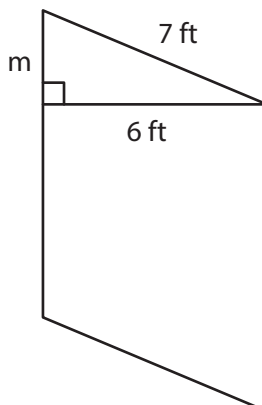
$k =$

4)



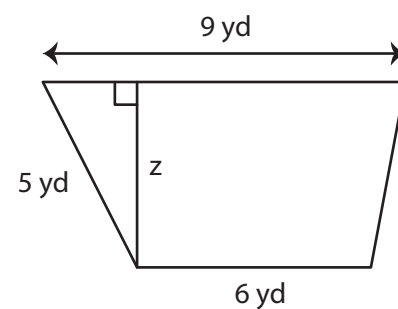
$b =$

5)



$m =$

6)



$z =$



Pythagorean Theorem

Name _____

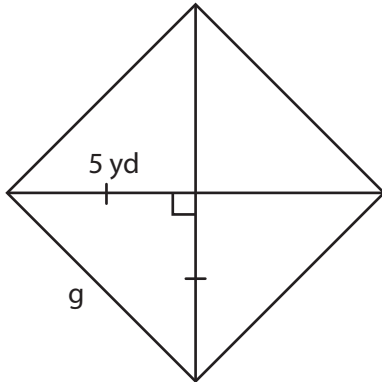
Score _____

Answer key

PT:23

Find the missing side length in each shape by applying the Pythagorean theorem. Round the answer to the nearest tenth place.

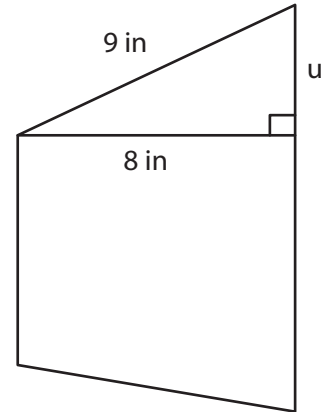
1)



$g =$

7.1 yd

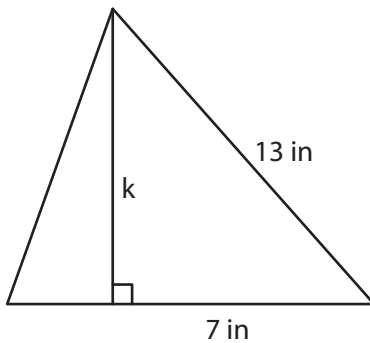
2)



$u =$

4.1 in

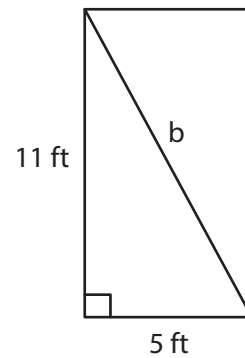
3)



$k =$

11 in

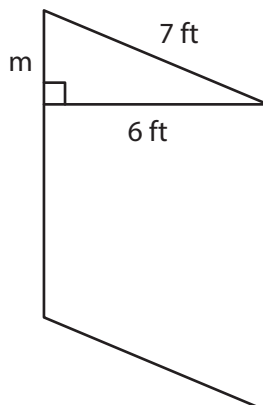
4)



$b =$

12.1 ft

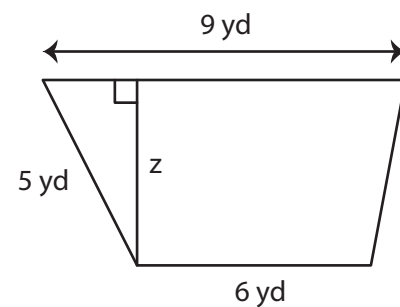
5)



$m =$

3.6 ft

6)



$z =$

4 yd