



Pythagorean Theorem

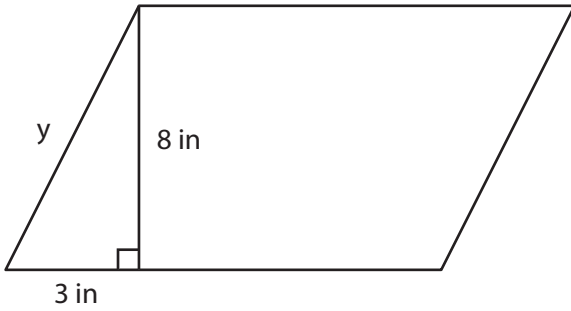
Name _____

Score _____

PT:22

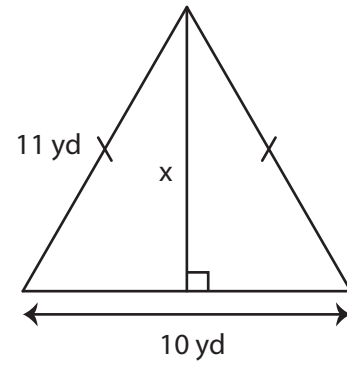
Find the missing side length in each shape by applying the Pythagorean theorem. Round the answer to the nearest tenth place.

1)



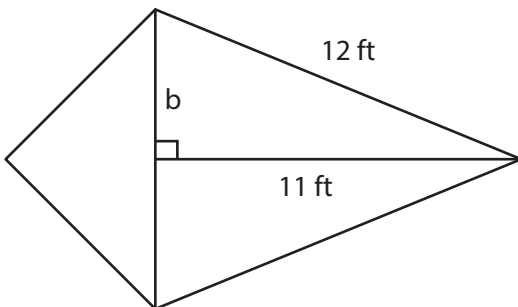
$y =$

2)



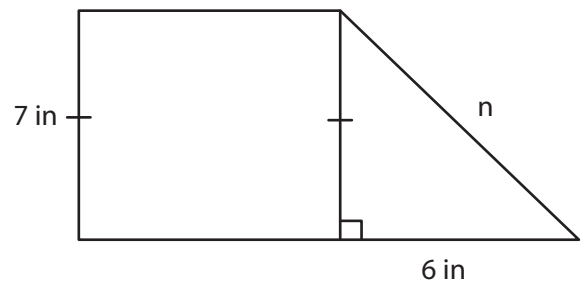
$x =$

3)



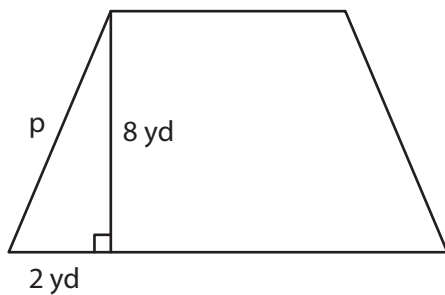
$b =$

4)



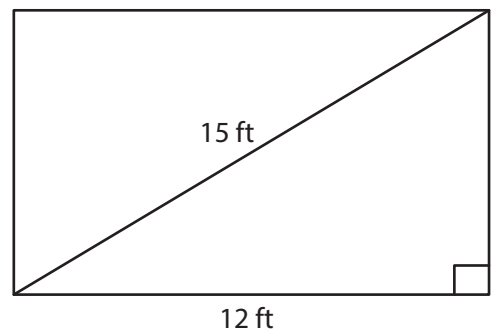
$n =$

5)



$p =$

6)



$h =$



Pythagorean Theorem

Name _____

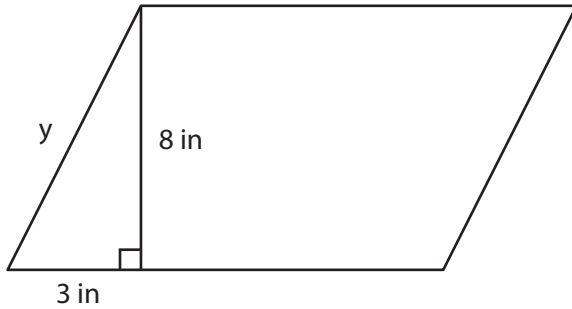
Score _____

Answer key

PT:22

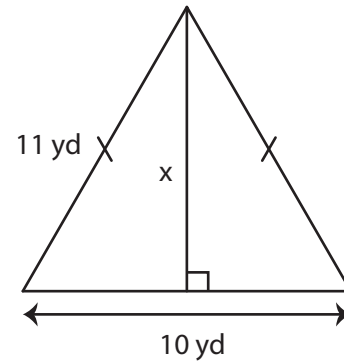
Find the missing side length in each shape by applying the Pythagorean theorem. Round the answer to the nearest tenth place.

1)



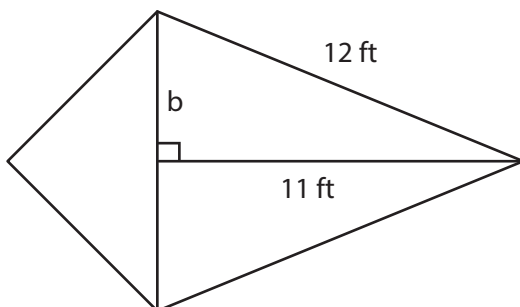
$y =$ **8.5 in**

2)



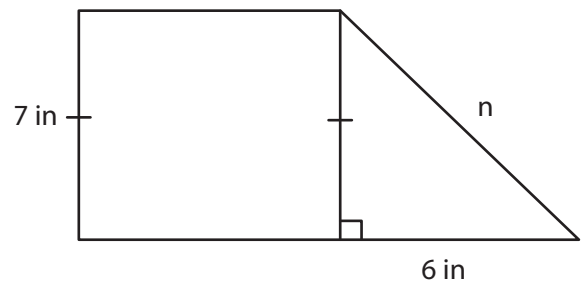
$x =$ **9.8 yd**

3)



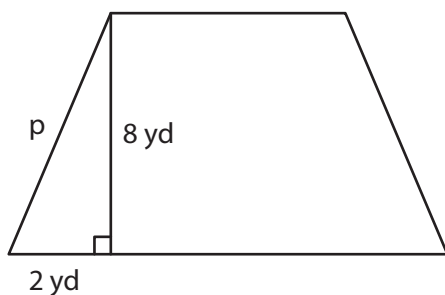
$b =$ **4.8 ft**

4)



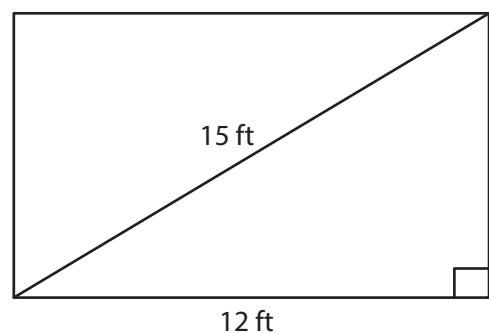
$n =$ **9.2 in**

5)



$p =$ **8.2 yd**

6)



$h =$ **9 ft**