



PERIMETER OF TRIANGLES

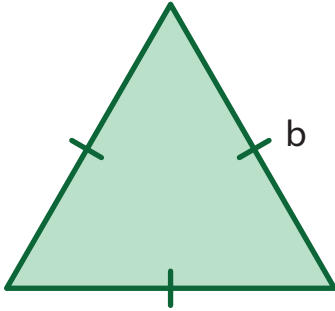
Name _____

Score _____

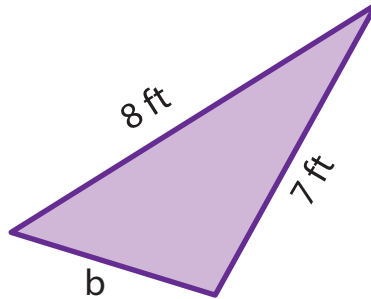
PT:19

Find the measurement of side b in each triangle. Cut the answers from the bottom of the sheet and paste them.

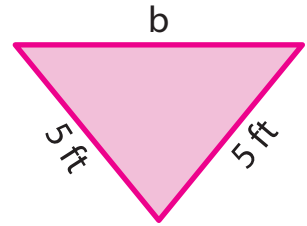
1) Perimeter = 21 ft



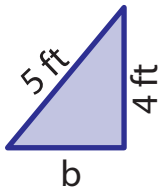
2) Perimeter = 20 ft



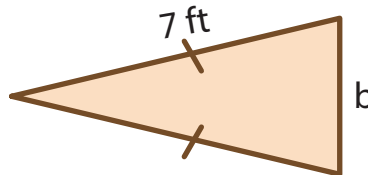
3) Perimeter = 16 ft



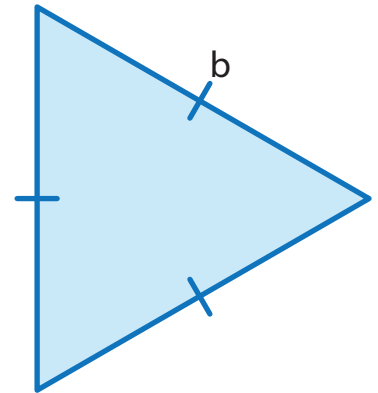
4) Perimeter = 12 ft



5) Perimeter = 18 ft



6) Perimeter = 24 ft



b = 6 ft

b = 5 ft

b = 4 ft

b = 8 ft

b = 7 ft

b = 3 ft



PERIMETER OF TRIANGLES

Name _____

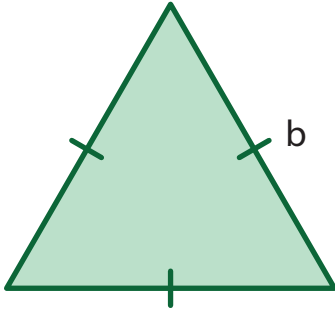
Score _____

Answer key

PT:19

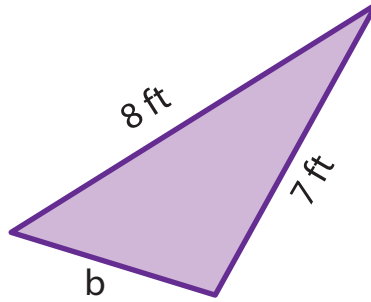
Find the measurement of side b in each triangle. Cut the answers from the bottom of the sheet and paste them.

1) Perimeter = 21 ft



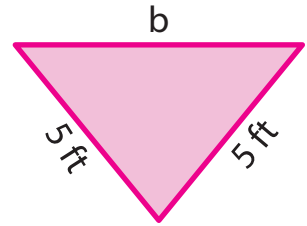
$$b = 7 \text{ ft}$$

2) Perimeter = 20 ft



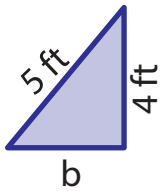
$$b = 5 \text{ ft}$$

3) Perimeter = 16 ft



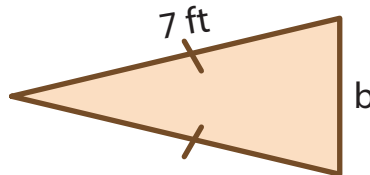
$$b = 6 \text{ ft}$$

4) Perimeter = 12 ft



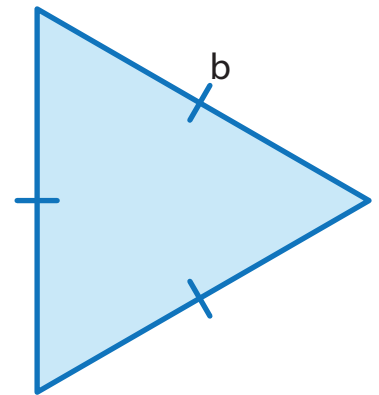
$$b = 3 \text{ ft}$$

5) Perimeter = 18 ft



$$b = 4 \text{ ft}$$

6) Perimeter = 24 ft



$$b = 8 \text{ ft}$$

$$b = 6 \text{ ft}$$

$$b = 5 \text{ ft}$$

$$b = 4 \text{ ft}$$

$$b = 8 \text{ ft}$$

$$b = 7 \text{ ft}$$

$$b = 3 \text{ ft}$$