



Pythagorean Theorem

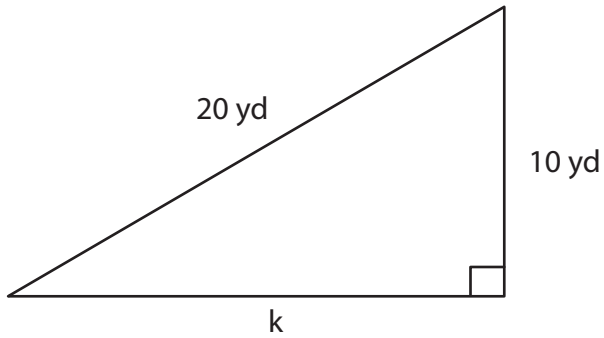
Name _____

Score _____

PT:11

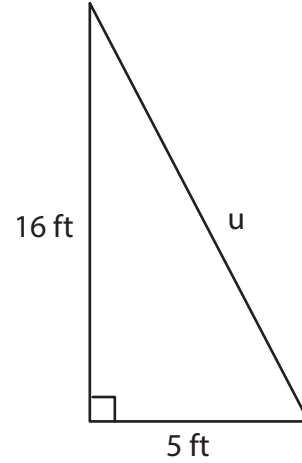
Find the value of a variable in each right triangle by applying the pythagorean theorem. Round the answer to nearest tenth place.

1)



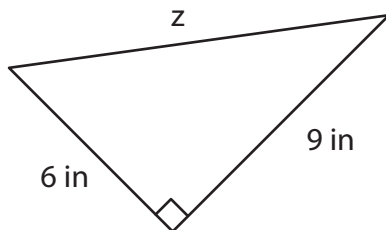
$k =$ _____

2)



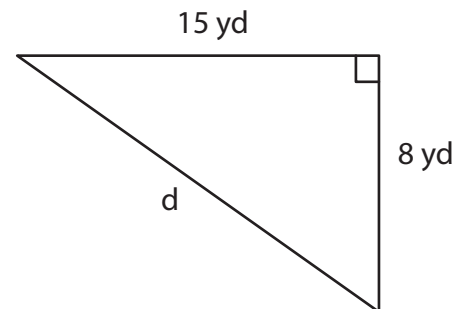
$u =$ _____

3)



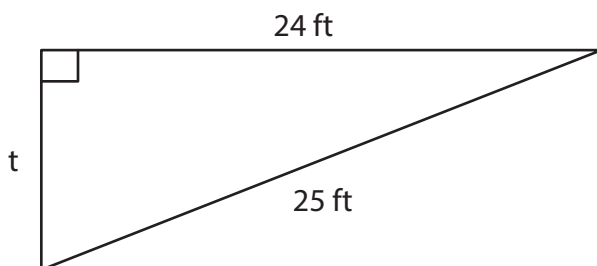
$z =$ _____

4)



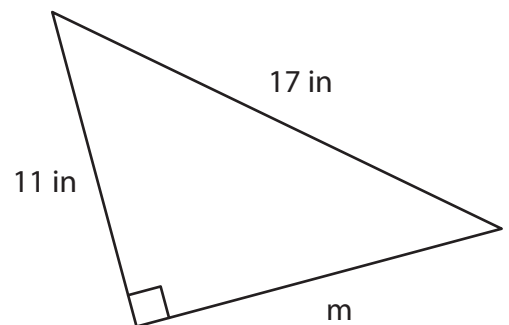
$d =$ _____

5)



$t =$ _____

6)



$m =$ _____



Pythagorean Theorem

Name _____

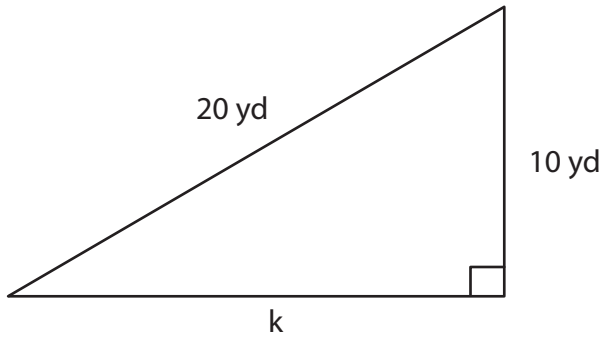
Score _____

Answer key

PT:11

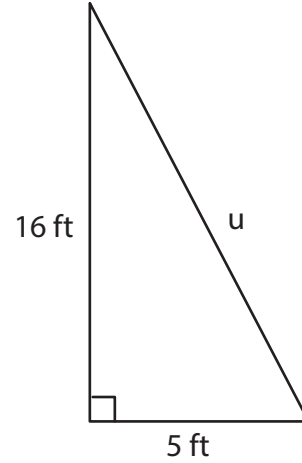
Find the value of a variable in each right triangle by applying the pythagorean theorem. Round the answer to nearest tenth place.

1)



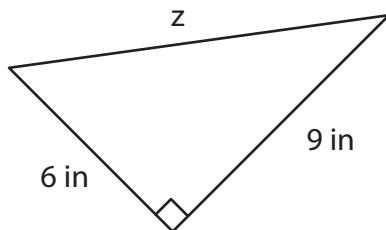
$k =$ 17.3 yd

2)



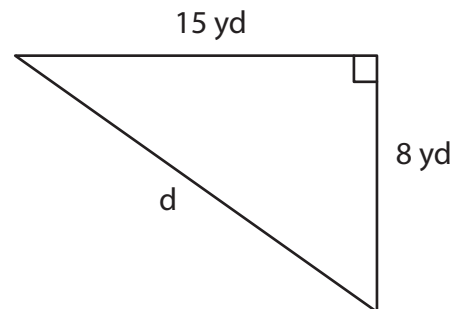
$u =$ 16.8 ft

3)



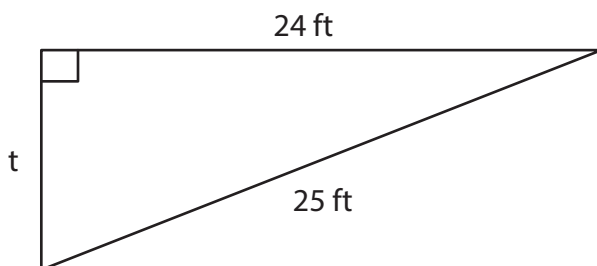
$z =$ 10.8 in

4)



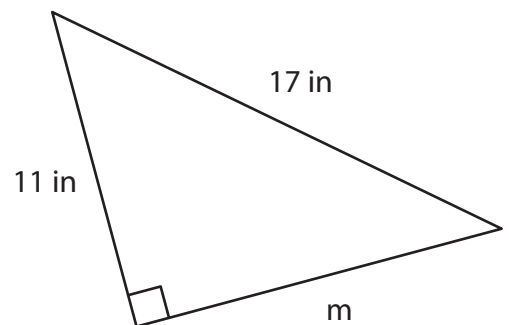
$d =$ 17 yd

5)



$t =$ 7 ft

6)



$m =$ 13 in