



Pythagorean Theorem

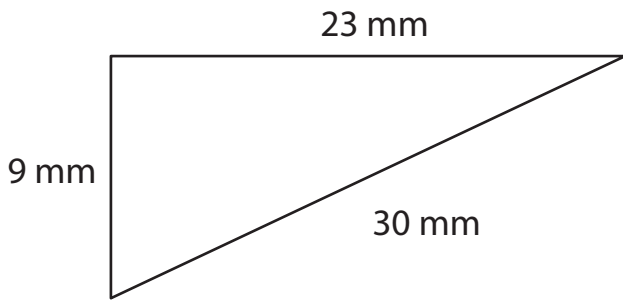
Name _____

Score _____

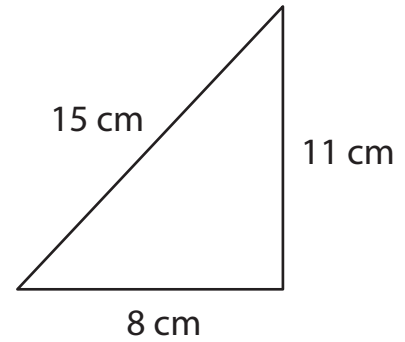
PT:06

Write whether the following lengths form a right triangle by applying the Pythagorean theorem.

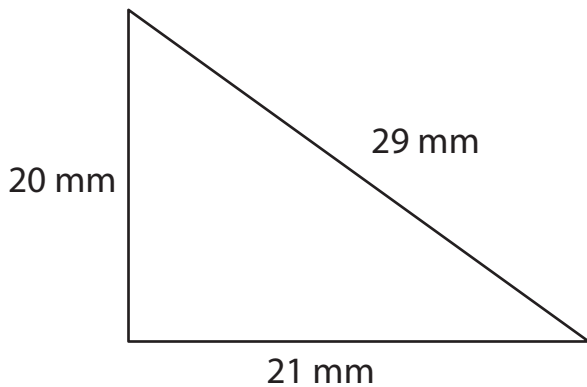
1)



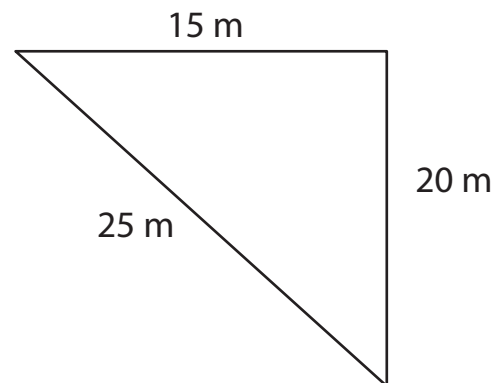
2)



3)



4)



Write whether the given side lengths a , b , and c form a right triangle by using the Pythagorean theorem.

5) $a = 20$ m, $b = 99$ m, $c = 101$ m

6) $a = 18$ cm, $b = 80$ cm, $c = 82$ cm

7) $a = 13$ cm, $b = 31$ cm, $c = 43$ cm

8) $a = 9$ mm, $b = 14$ mm, $c = 19$ mm



Pythagorean Theorem

Name _____

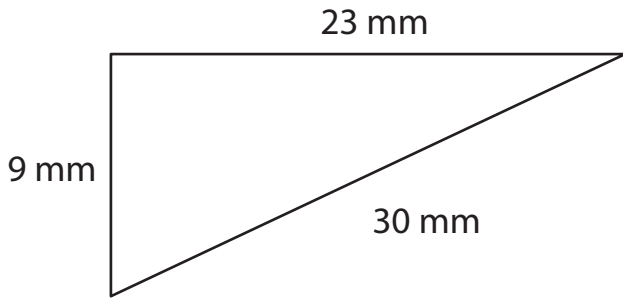
Score _____

Answer key

PT:06

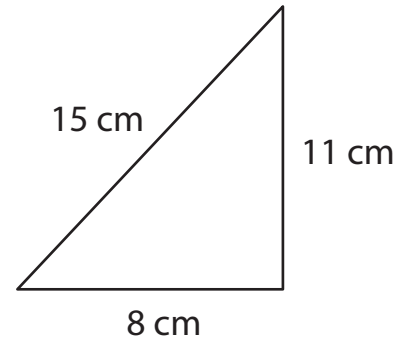
Write whether the following lengths form a right triangle by applying the Pythagorean theorem.

1)



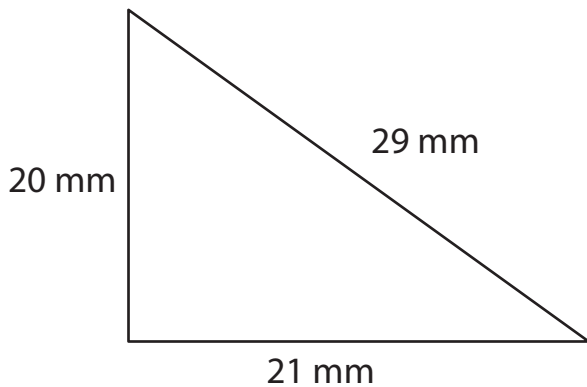
Not a right triangle

2)



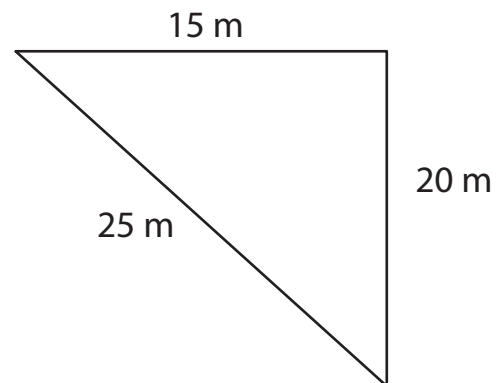
Not a right triangle

3)



Right triangle

4)



Right triangle

Write whether the given side lengths a , b , and c form a right triangle by using the Pythagorean theorem.

5) $a = 20$ m, $b = 99$ m, $c = 101$ m

Right triangle

6) $a = 18$ cm, $b = 80$ cm, $c = 82$ cm

Right triangle

7) $a = 13$ cm, $b = 31$ cm, $c = 43$ cm

Not a right triangle

8) $a = 9$ mm, $b = 14$ mm, $c = 19$ mm

Not a right triangle