



# Pythagorean Theorem

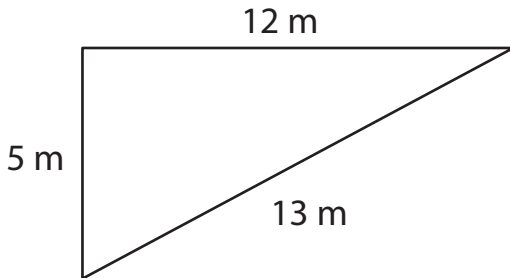
Name \_\_\_\_\_

Score \_\_\_\_\_

PT:04

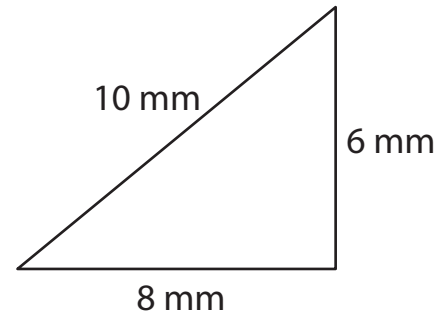
Write whether the following lengths form a right triangle by applying the Pythagorean theorem.

1)



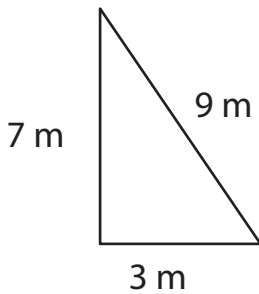
\_\_\_\_\_

2)



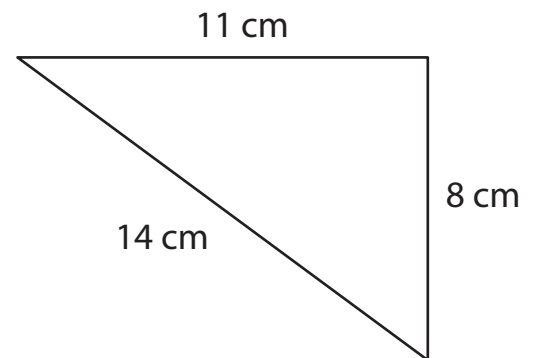
\_\_\_\_\_

3)



\_\_\_\_\_

4)



\_\_\_\_\_

Write whether the given side lengths  $a$ ,  $b$ , and  $c$  form a right triangle by using the Pythagorean theorem.

5)  $a = 9$  mm,  $b = 10$  mm,  $c = 15$  mm

\_\_\_\_\_

6)  $a = 3$  mm,  $b = 4$  mm,  $c = 5$  mm

\_\_\_\_\_

7)  $a = 15$  cm,  $b = 112$  cm,  $c = 113$  cm

\_\_\_\_\_

8)  $a = 36$  m,  $b = 42$  m,  $c = 45$  m

\_\_\_\_\_



# Pythagorean Theorem

Name \_\_\_\_\_

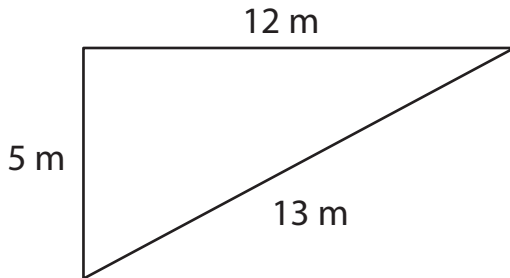
Score \_\_\_\_\_

## Answer key

PT:04

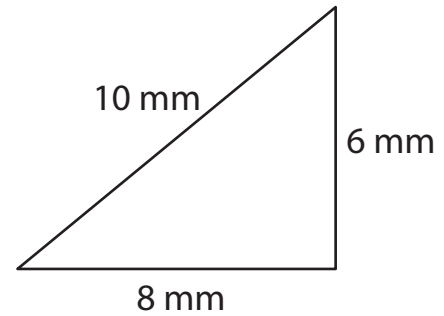
Write whether the following lengths form a right triangle by applying the Pythagorean theorem.

1)



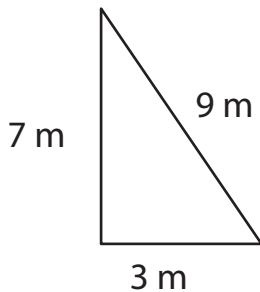
**Right triangle**

2)



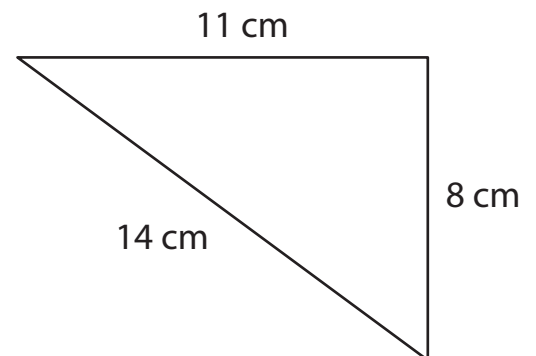
**Right triangle**

3)



**Not a right triangle**

4)



**Not a right triangle**

Write whether the given side lengths a, b, and c form a right triangle by using the Pythagorean theorem.

5)  $a = 9 \text{ mm}$ ,  $b = 10 \text{ mm}$ ,  $c = 15 \text{ mm}$

**Not a right triangle**

6)  $a = 3 \text{ mm}$ ,  $b = 4 \text{ mm}$ ,  $c = 5 \text{ mm}$

**Right triangle**

7)  $a = 15 \text{ cm}$ ,  $b = 112 \text{ cm}$ ,  $c = 113 \text{ cm}$

**Right triangle**

8)  $a = 36 \text{ m}$ ,  $b = 42 \text{ m}$ ,  $c = 45 \text{ m}$

**Not a right triangle**