



Perimeter of Rectangles

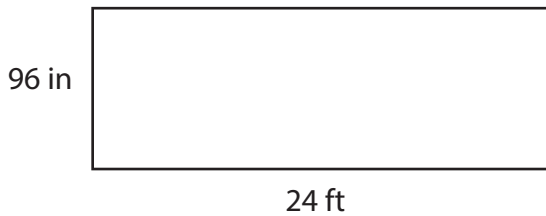
Name _____

Score _____

PR:15

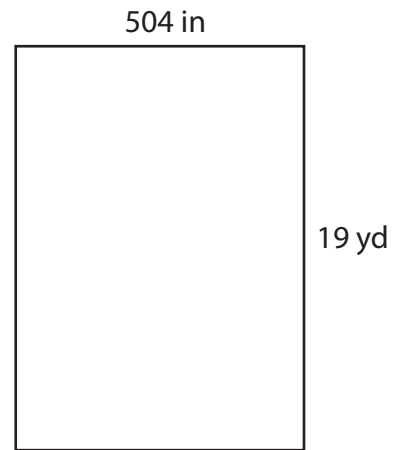
Find the perimeter of each rectangle.

1)



Perimeter = _____ ft

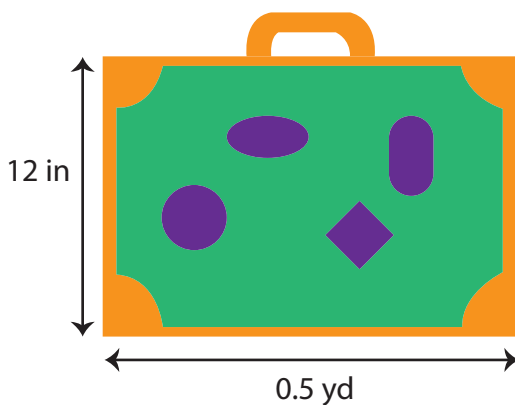
2)



Perimeter = _____ yd

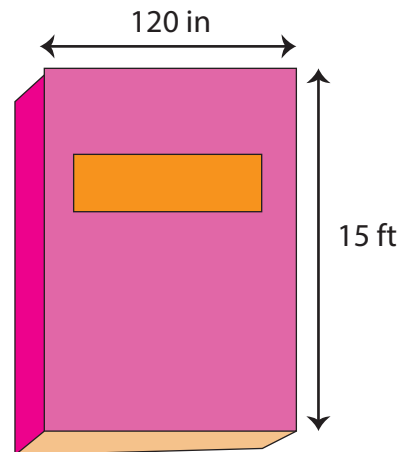
Find the perimeter of each rectangle.

1)



Perimeter = _____ in

2)



Perimeter = _____ ft

Find the perimeter of each rectangle.

1) Breadth = 720 in

Length = 25 yd

Perimeter = _____ yd

2) Breadth = 3 ft

Length = 32 in

Perimeter = _____ in



Perimeter of Rectangles

Name _____

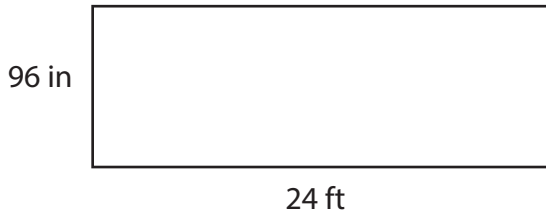
Score _____

Answer key

PR:15

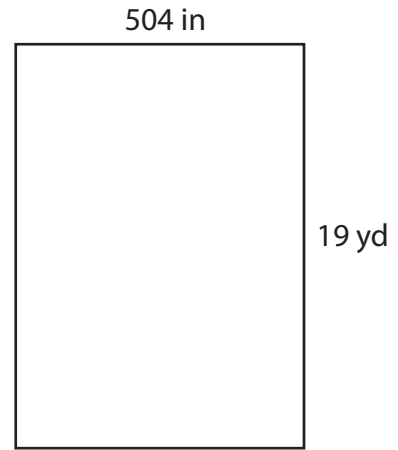
Find the perimeter of each rectangle.

1)



Perimeter = 64 ft

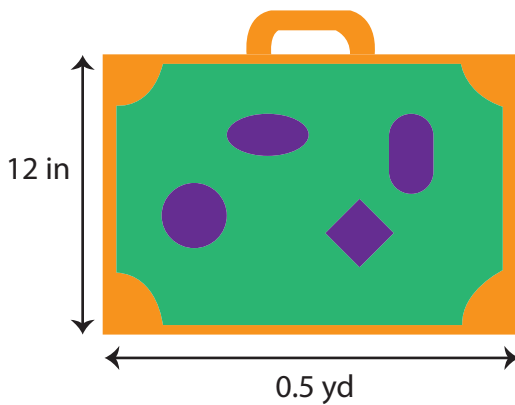
2)



Perimeter = 66 yd

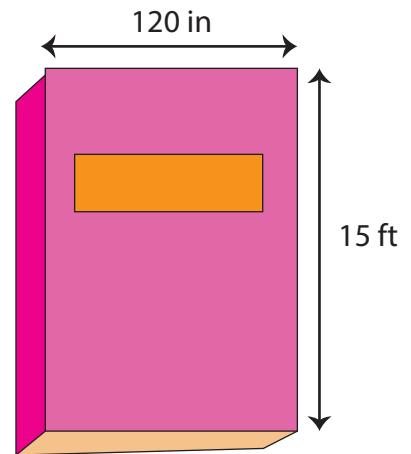
Find the perimeter of each rectangle.

1)



Perimeter = 60 in

2)



Perimeter = 50 ft

Find the perimeter of each rectangle.

1) Breadth = 720 in

Length = 25 yd

Perimeter = 90 yd

2) Breadth = 3 ft

Length = 32 in

Perimeter = 136 in