



Perimeter of Rectangles

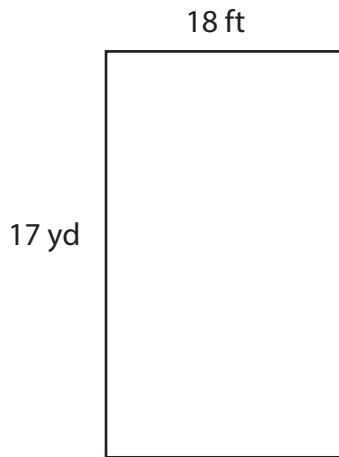
Name _____

Score _____

PR:13

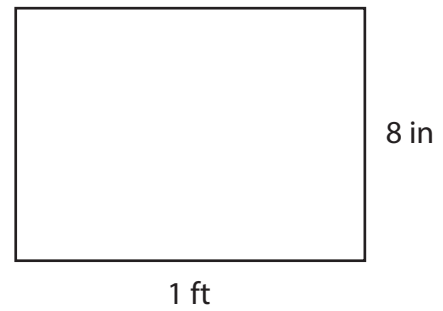
Find the perimeter of each rectangle.

1)



Perimeter = _____ yd

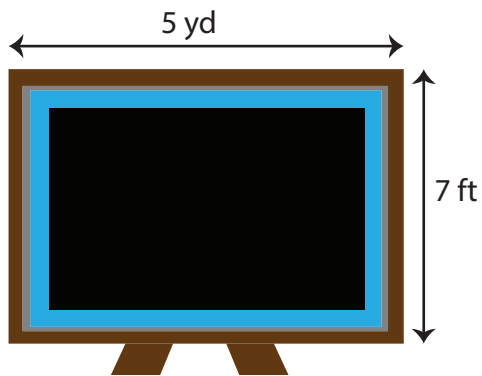
2)



Perimeter = _____ in

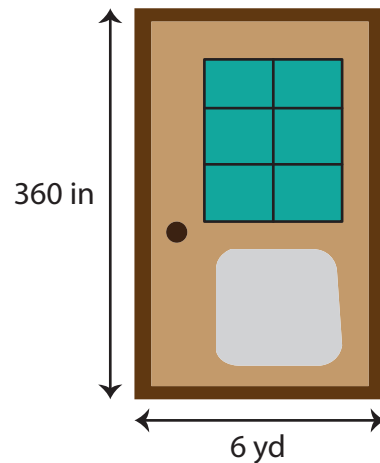
Find the perimeter of each rectangle.

1)



Perimeter = _____ ft

2)



Perimeter = _____ yd

Find the perimeter of each rectangle.

1) Breadth = 31 in

Length = 1 yd

Perimeter = _____ in

2) Breadth = 144 in

Length = 16 ft

Perimeter = _____ ft



Perimeter of Rectangles

Name _____

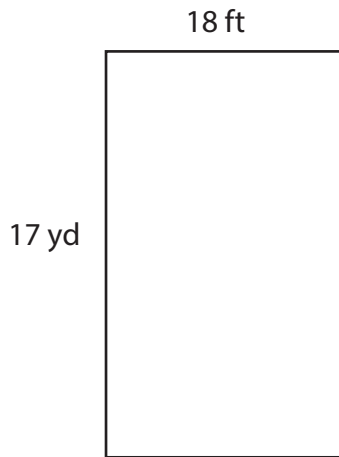
Score _____

Answer key

PR:13

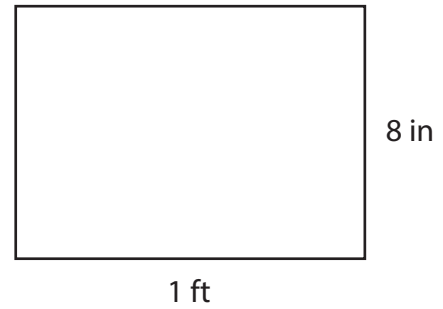
Find the perimeter of each rectangle.

1)



Perimeter = 46 yd

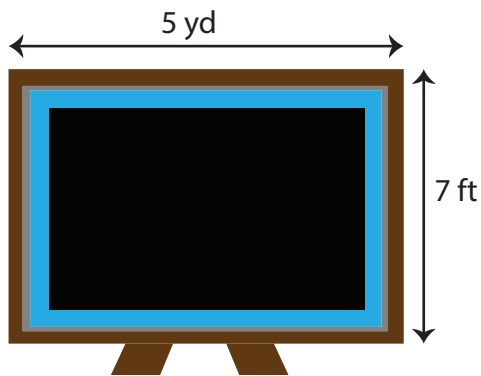
2)



Perimeter = 40 in

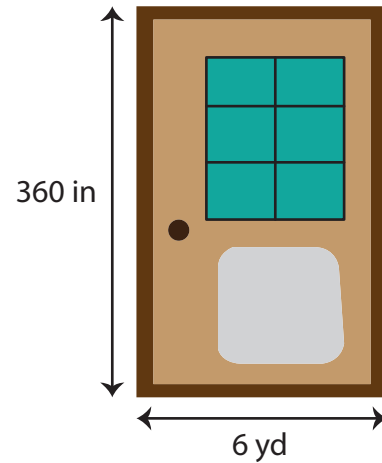
Find the perimeter of each rectangle.

1)



Perimeter = 44 ft

2)



Perimeter = 32 yd

Find the perimeter of each rectangle.

1) Breadth = 31 in

Length = 1 yd

Perimeter = 134 in

2) Breadth = 144 in

Length = 16 ft

Perimeter = 56 ft