



Perimeter of Rectangles

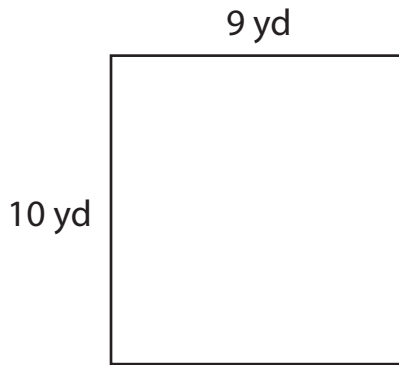
Name _____

Score _____

PR:03

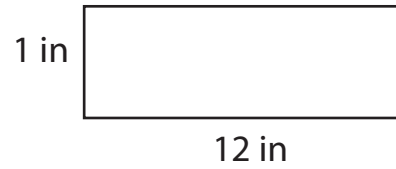
Find the perimeter of each rectangle.

1)



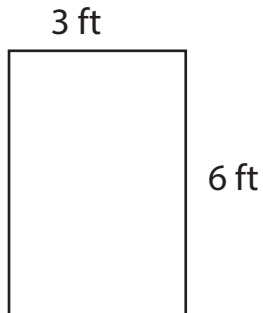
Perimeter = _____

2)



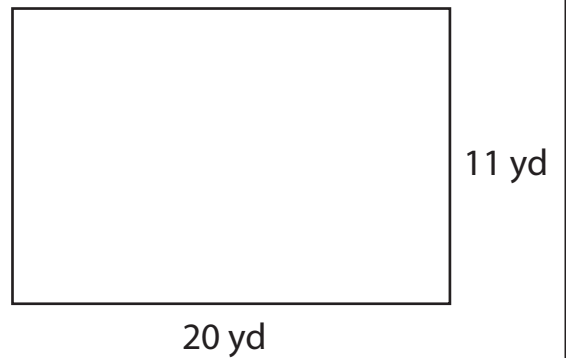
Perimeter = _____

3)



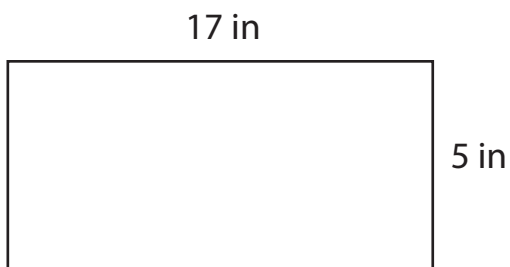
Perimeter = _____

4)



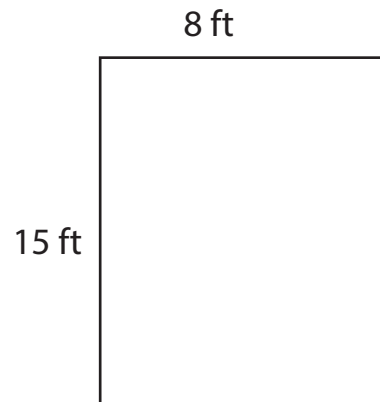
Perimeter = _____

5)



Perimeter = _____

6)



Perimeter = _____



Perimeter of Rectangles

Name _____

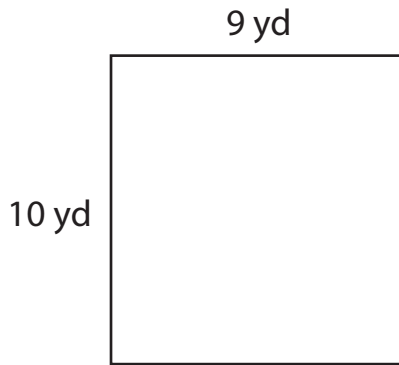
Score _____

Answer key

PR:03

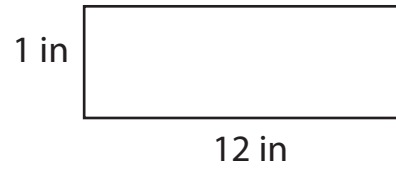
Find the perimeter of each rectangle.

1)



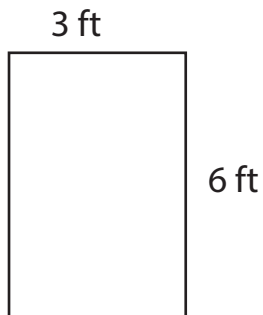
Perimeter = 38 yd

2)



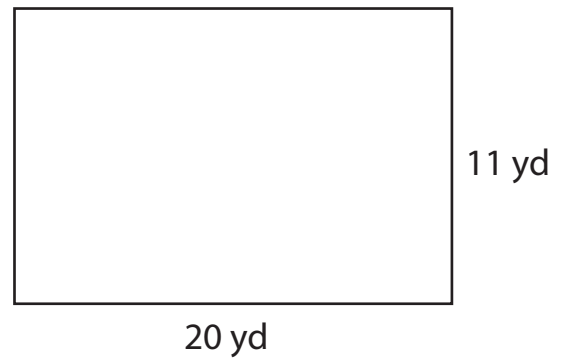
Perimeter = 26 in

3)



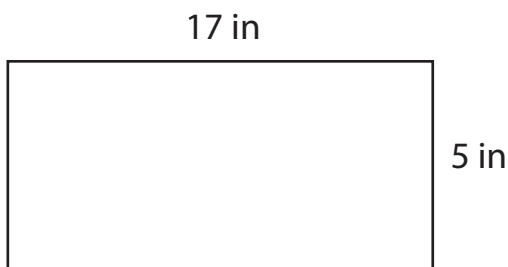
Perimeter = 18 ft

4)



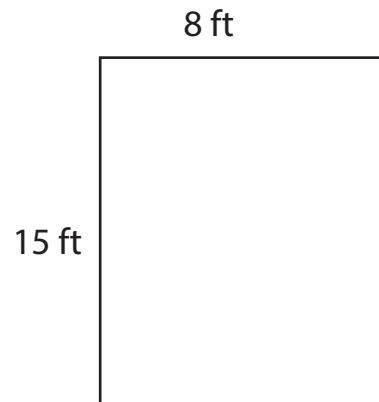
Perimeter = 62 yd

5)



Perimeter = 44 in

6)



Perimeter = 46 ft