



# Perimeter of Quadrilateral

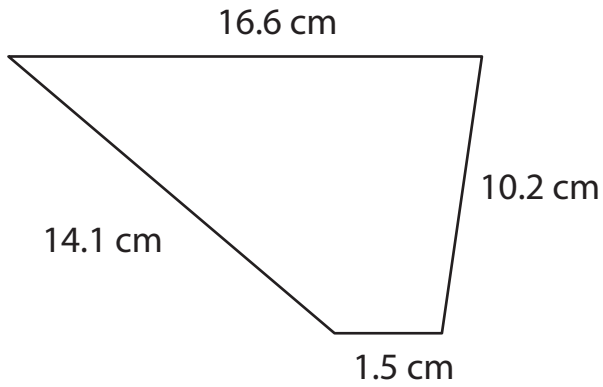
Name \_\_\_\_\_

Score \_\_\_\_\_

PQ:12

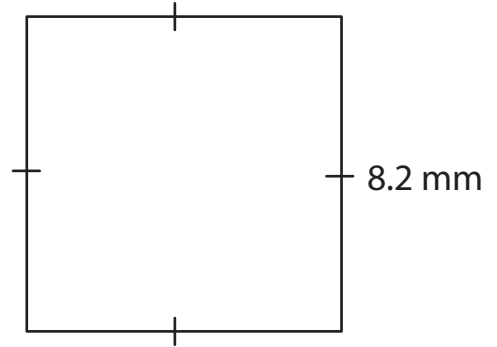
Find the perimeter of each quadrilateral.

1)



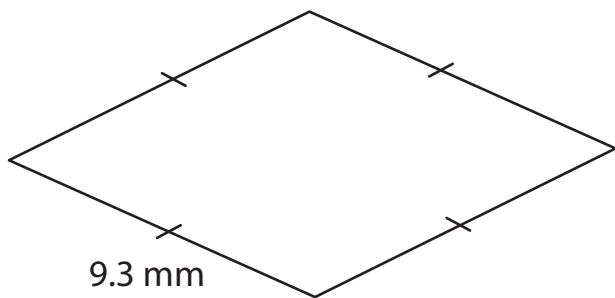
Perimeter =

2)



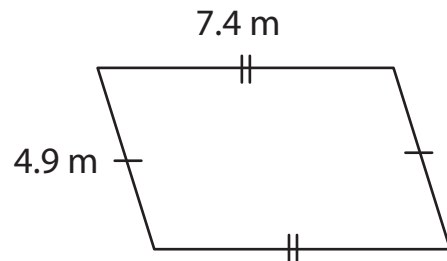
Perimeter =

3)



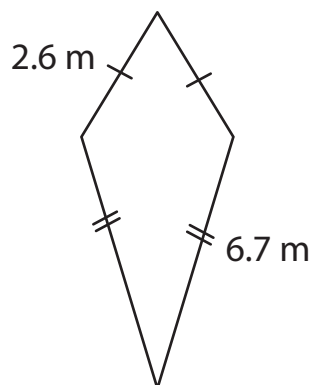
Perimeter =

4)



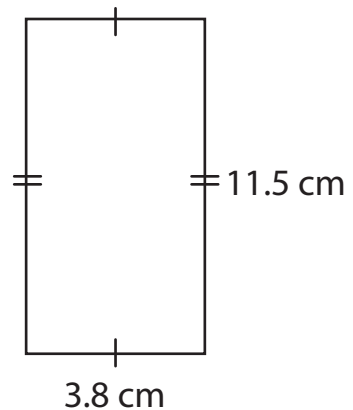
Perimeter =

5)



Perimeter =

6)



Perimeter =



# Perimeter of Quadrilateral

Name \_\_\_\_\_

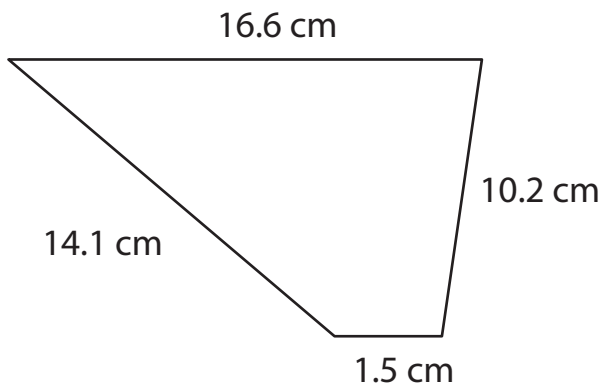
Score \_\_\_\_\_

## Answer key

PQ:12

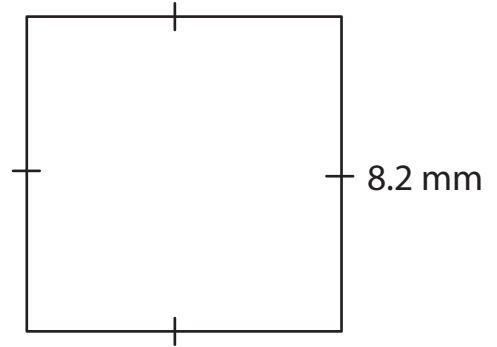
Find the perimeter of each quadrilateral.

1)



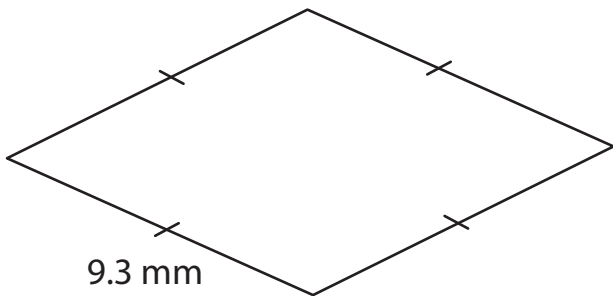
Perimeter = **42.4 cm**

2)



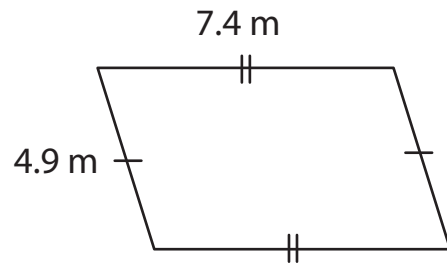
Perimeter = **32.8 mm**

3)



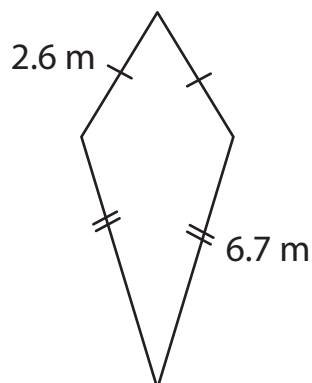
Perimeter = **37.2 mm**

4)



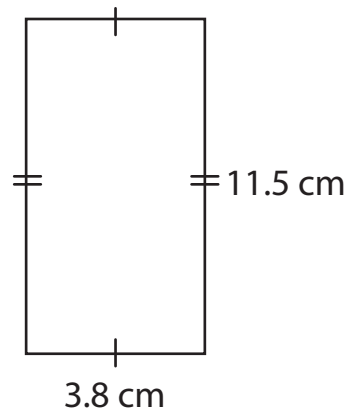
Perimeter = **24.6 m**

5)



Perimeter = **18.6 m**

6)



Perimeter = **30.6 cm**