



Perimeter of Quadrilateral

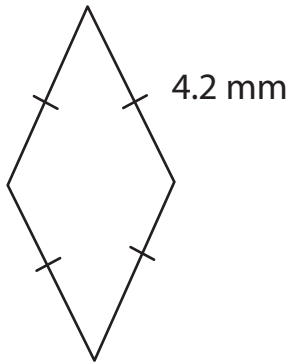
Name _____

Score _____

PQ:11

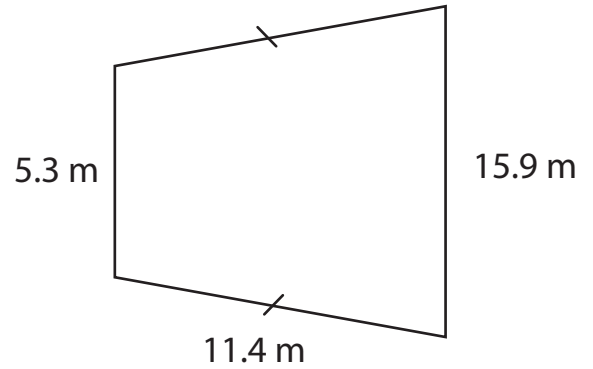
Find the perimeter of each quadrilateral.

1)



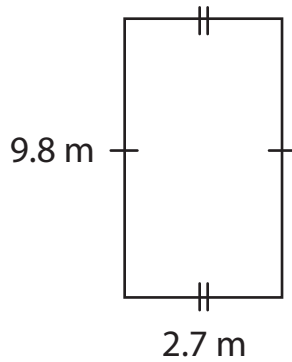
Perimeter =

2)



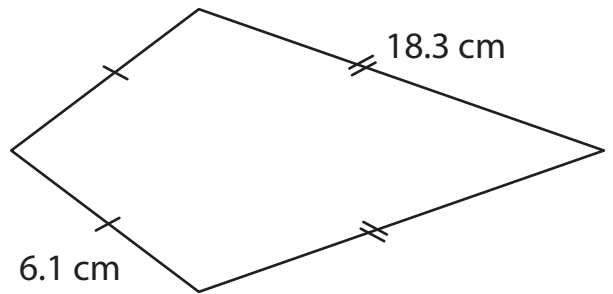
Perimeter =

3)



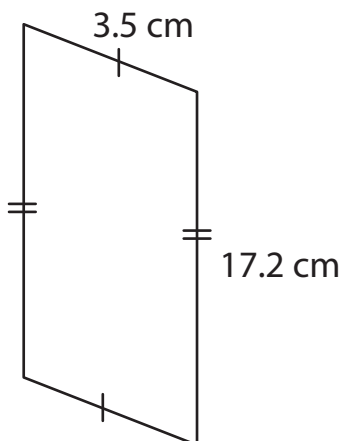
Perimeter =

4)



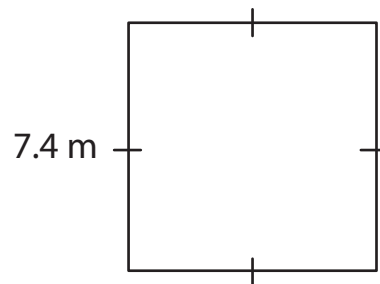
Perimeter =

5)



Perimeter =

6)



Perimeter =



Perimeter of Quadrilateral

Name _____

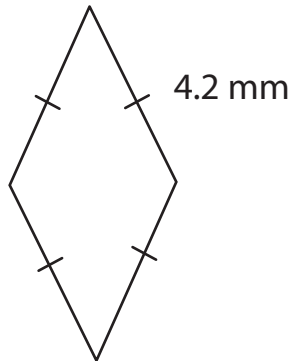
Score _____

Answer key

PQ:11

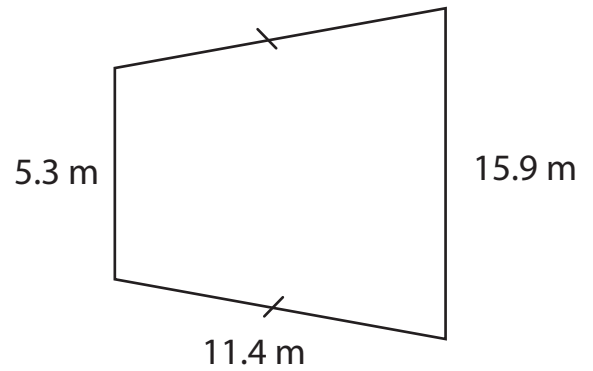
Find the perimeter of each quadrilateral.

1)



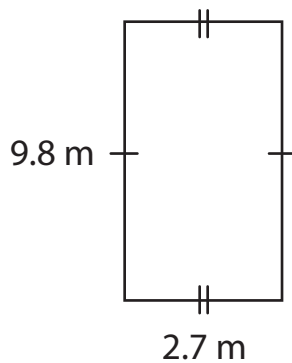
Perimeter = **16.8 mm**

2)



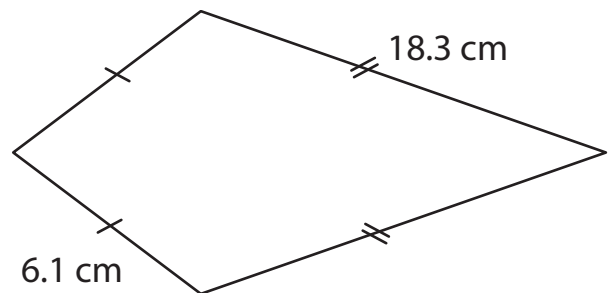
Perimeter = **44 m**

3)



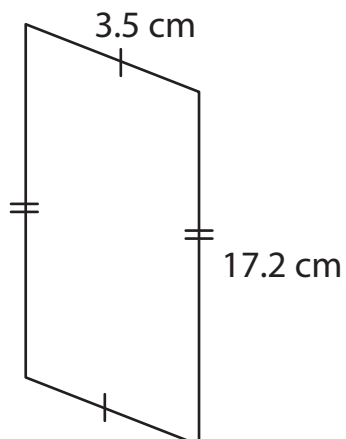
Perimeter = **25 m**

4)



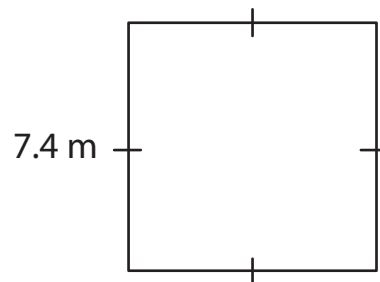
Perimeter = **48.8 cm**

5)



Perimeter = **41.4 cm**

6)



Perimeter = **29.6 m**