



Perimeter of Quadrilateral

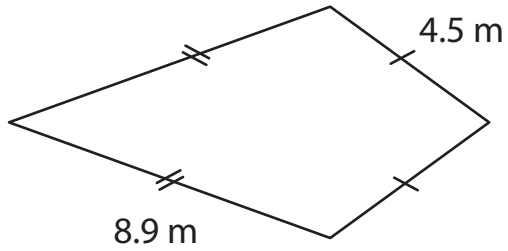
Name _____

Score _____

PQ:10

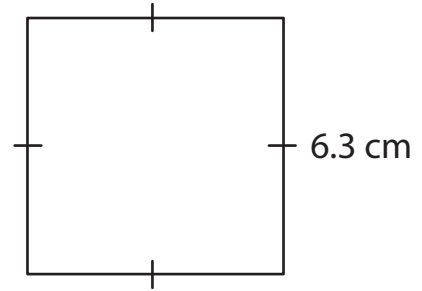
Find the perimeter of each quadrilateral.

1)



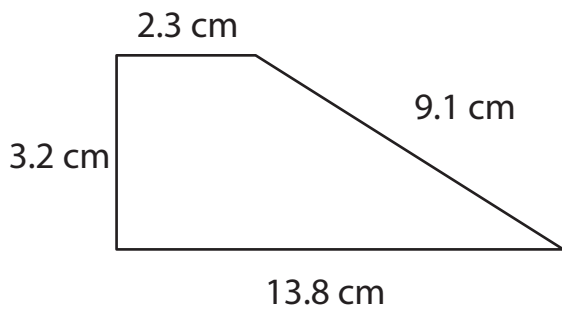
Perimeter =

2)



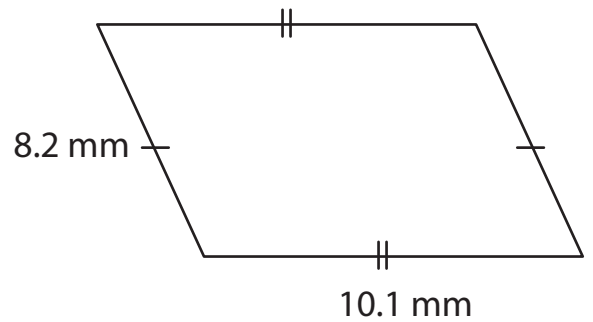
Perimeter =

3)



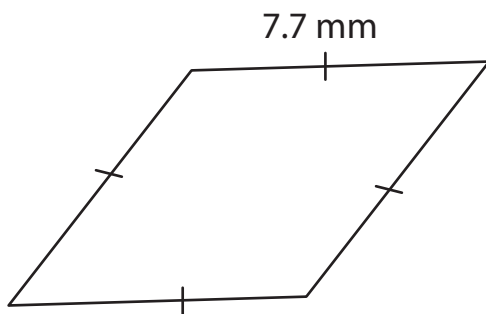
Perimeter =

4)



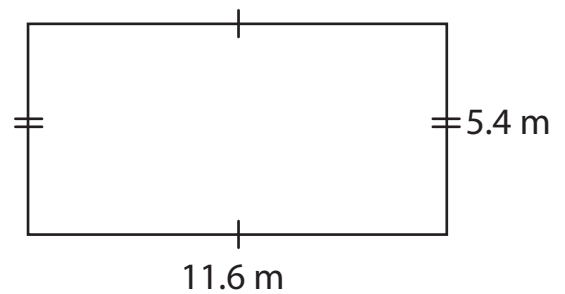
Perimeter =

5)



Perimeter =

6)



Perimeter =



Perimeter of Quadrilateral

Name _____

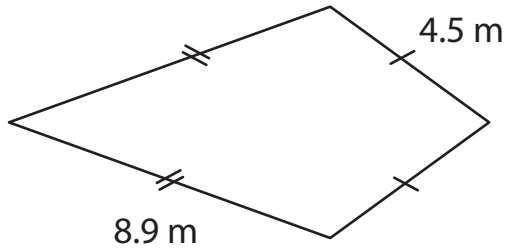
Score _____

Answer key

PQ:10

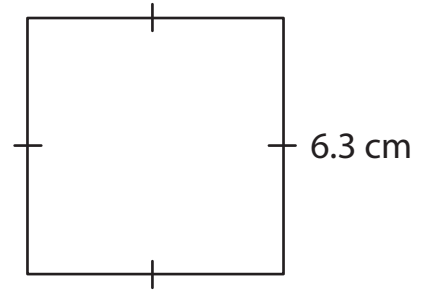
Find the perimeter of each quadrilateral.

1)



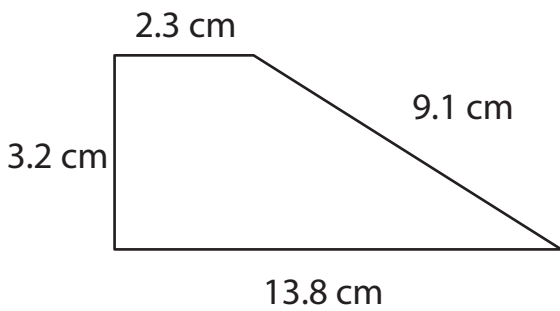
Perimeter = **26.8 m**

2)



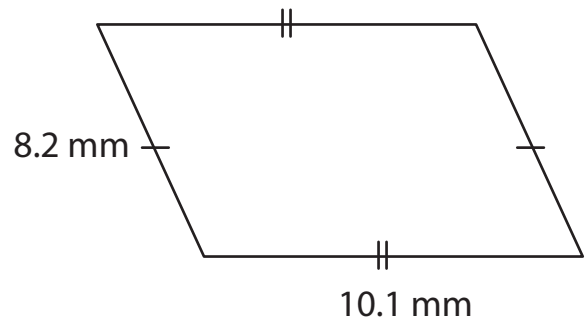
Perimeter = **25.2 cm**

3)



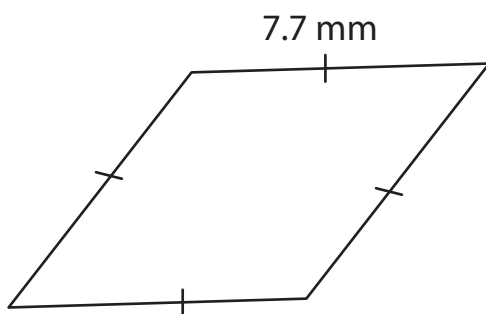
Perimeter = **28.4 cm**

4)



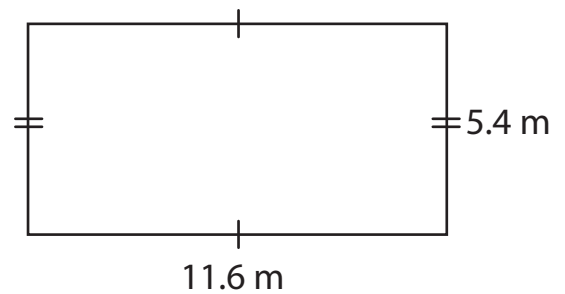
Perimeter = **36.6 mm**

5)



Perimeter = **30.8 mm**

6)



Perimeter = **34 m**