



Perimeter of Quadrilateral

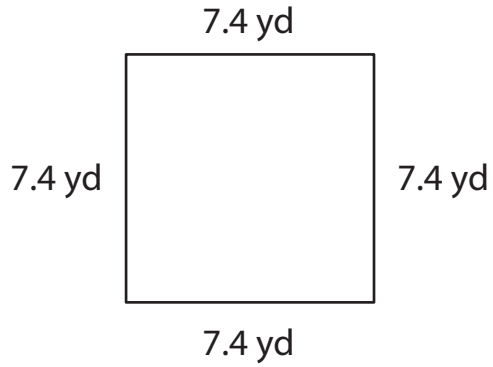
Name _____

Score _____

PQ:09

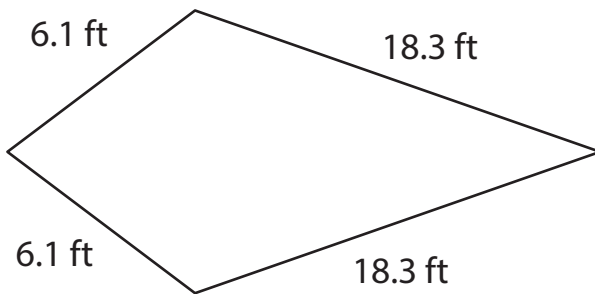
Find the perimeter of each quadrilateral.

1)



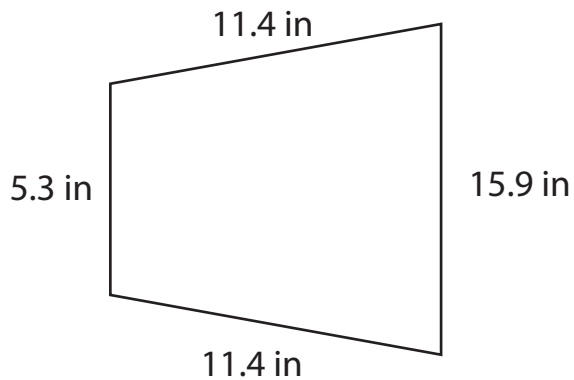
Perimeter =

3)



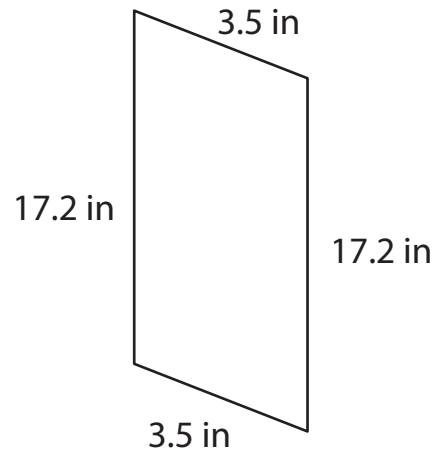
Perimeter =

5)



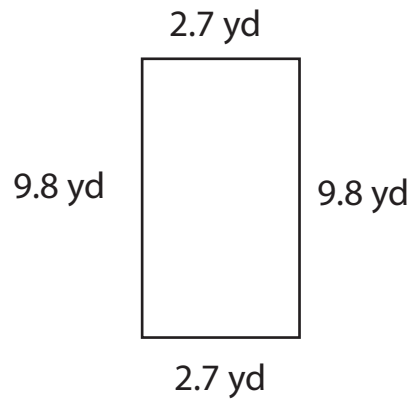
Perimeter =

2)



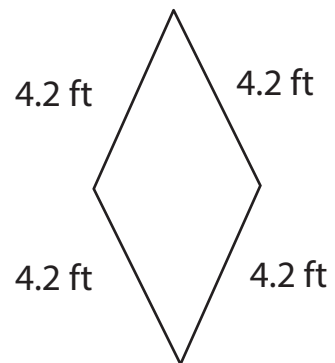
Perimeter =

4)



Perimeter =

6)



Perimeter =



Perimeter of Quadrilateral

Name _____

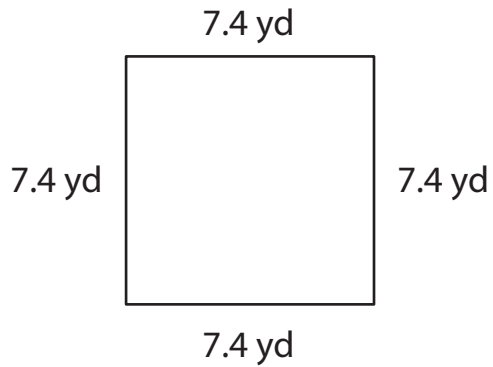
Score _____

Answer key

PQ:09

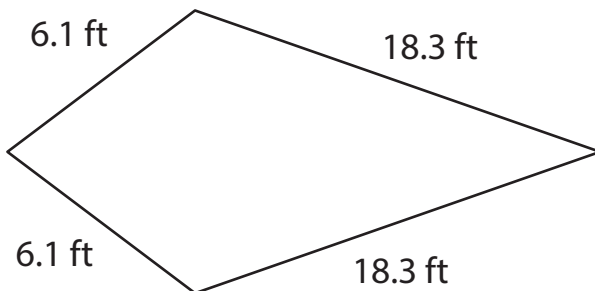
Find the perimeter of each quadrilateral.

1)



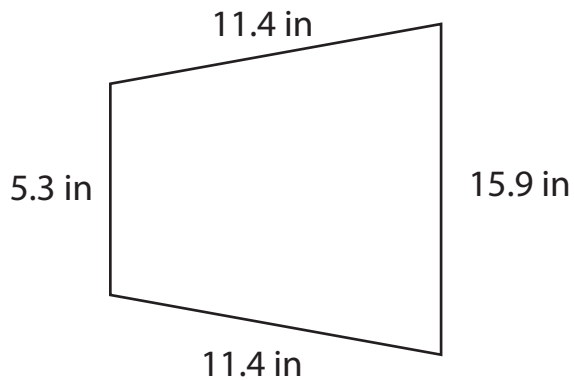
Perimeter = **29.6 yd**

3)



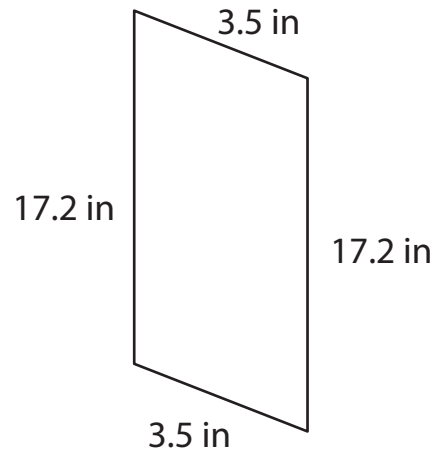
Perimeter = **48.8 ft**

5)



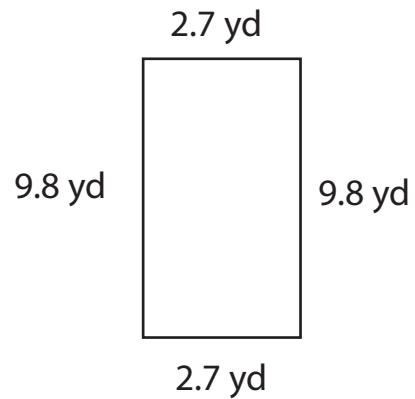
Perimeter = **44 in**

2)



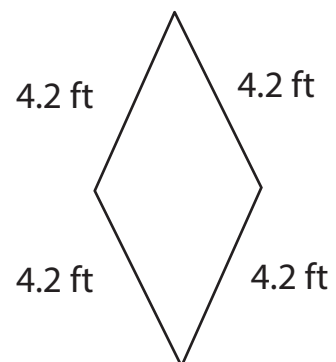
Perimeter = **41.4 in**

4)



Perimeter = **25 yd**

6)



Perimeter = **16.8 ft**