



Perimeter of Quadrilateral

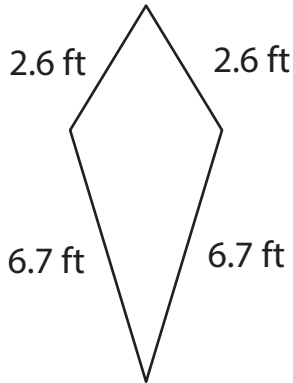
Name _____

Score _____

PQ:08

Find the perimeter of each quadrilateral.

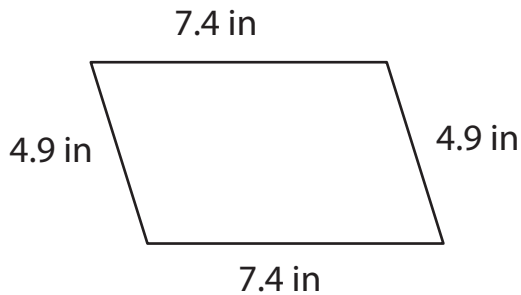
1)



Perimeter =



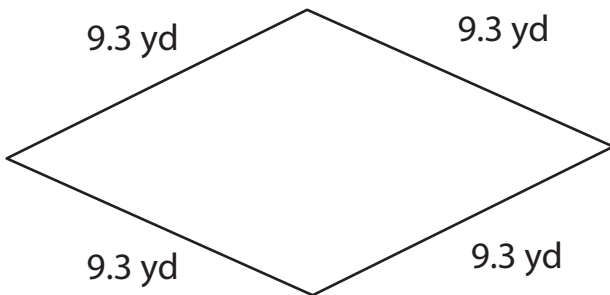
3)



Perimeter =



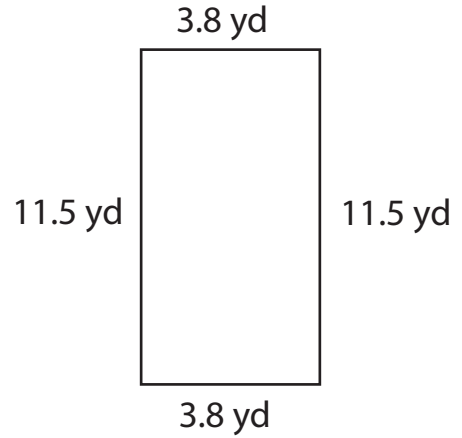
5)



Perimeter =



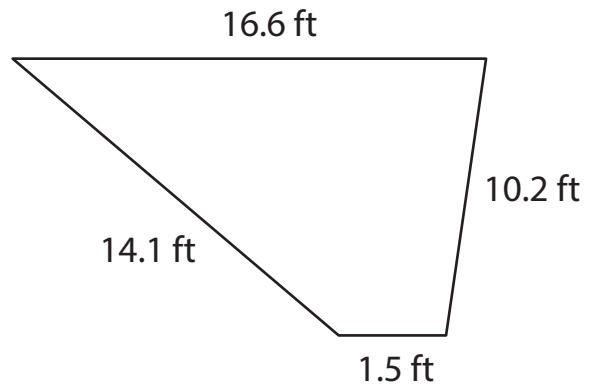
2)



Perimeter =



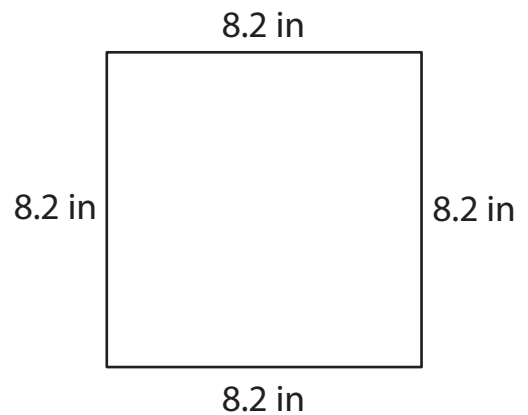
4)



Perimeter =



6)



Perimeter =





Perimeter of Quadrilateral

Name _____

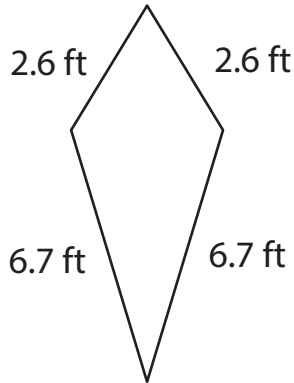
Score _____

Answer key

PQ:08

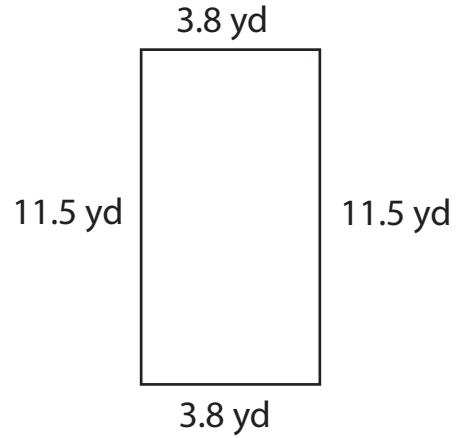
Find the perimeter of each quadrilateral.

1)



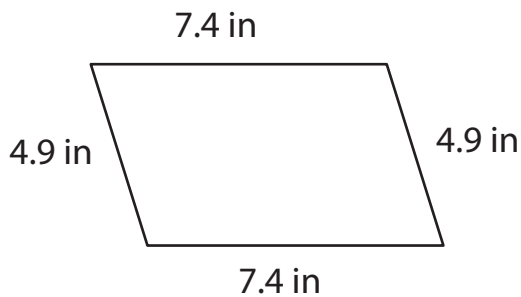
Perimeter = **18.6 ft**

2)



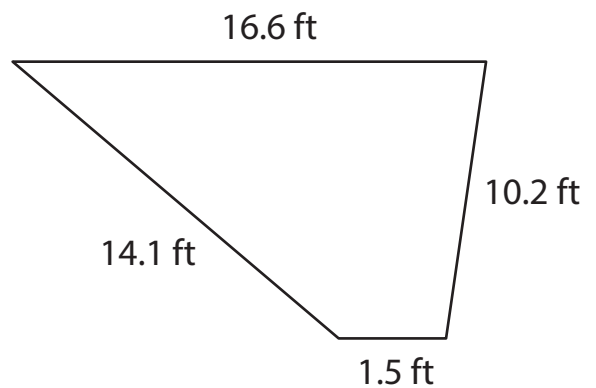
Perimeter = **30.6 yd**

3)



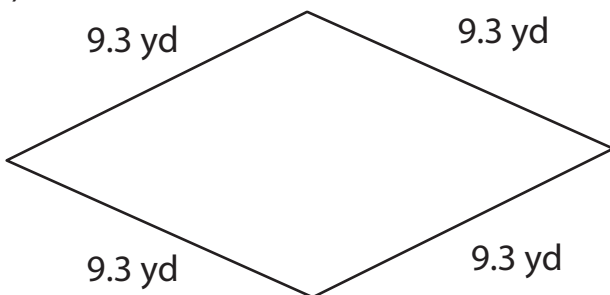
Perimeter = **24.6 in**

4)



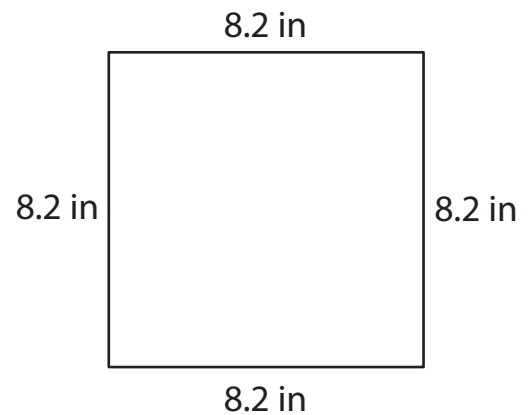
Perimeter = **42.4 ft**

5)



Perimeter = **37.2 yd**

6)



Perimeter = **32.8 in**