



# Perimeter of Quadrilateral

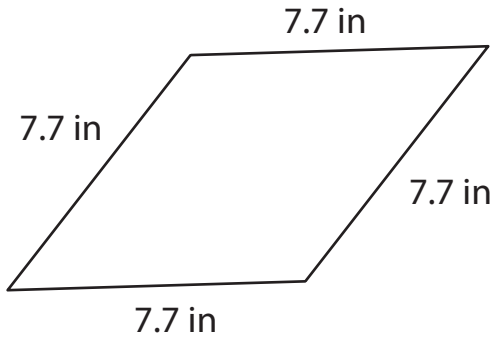
Name \_\_\_\_\_

Score \_\_\_\_\_

PQ:07

Find the perimeter of each quadrilateral.

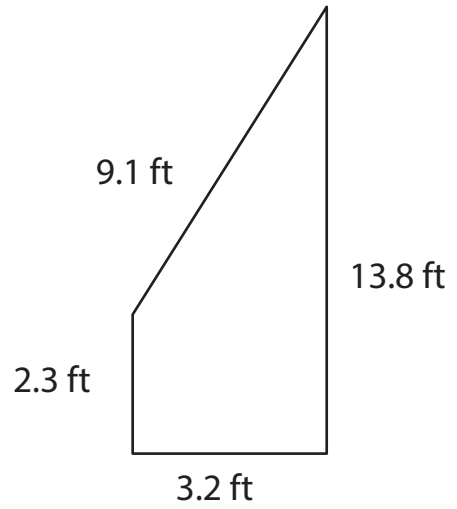
1)



Perimeter =



2)



Perimeter =



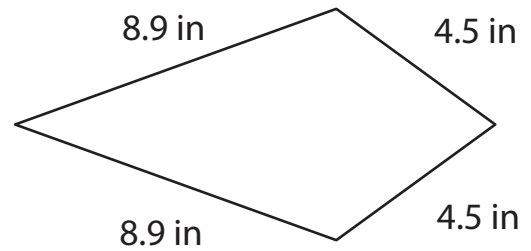
3)



Perimeter =



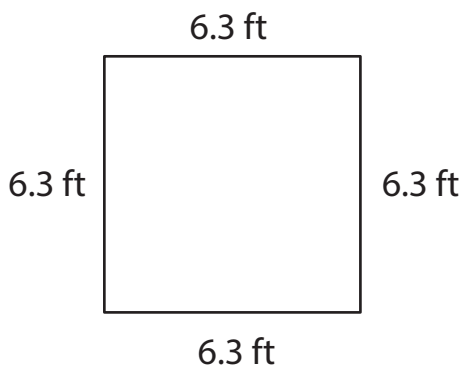
4)



Perimeter =



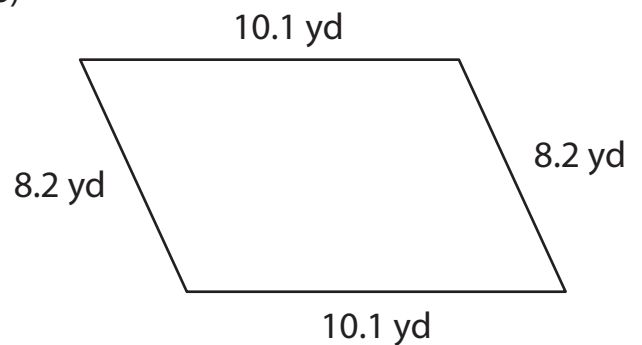
5)



Perimeter =



6)



Perimeter =





# Perimeter of Quadrilateral

Name \_\_\_\_\_

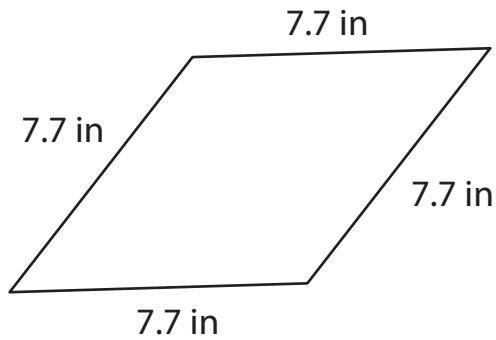
Score \_\_\_\_\_

## Answer key

PQ:07

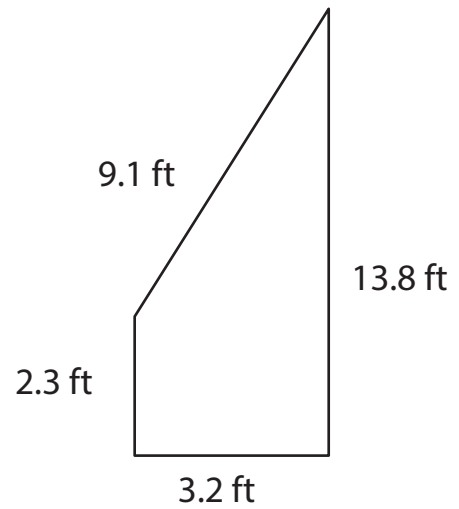
Find the perimeter of each quadrilateral.

1)



Perimeter = **30.8 in**

2)



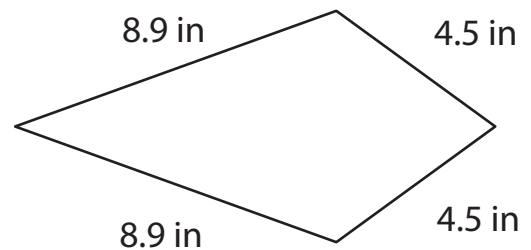
Perimeter = **28.4 ft**

3)



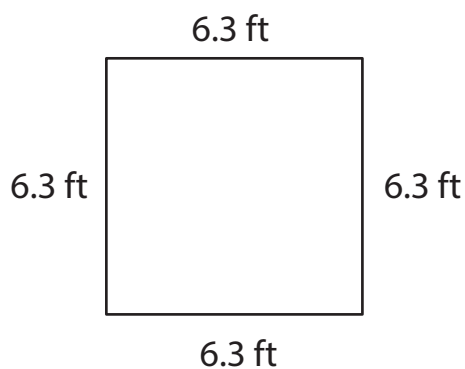
Perimeter = **34 yd**

4)



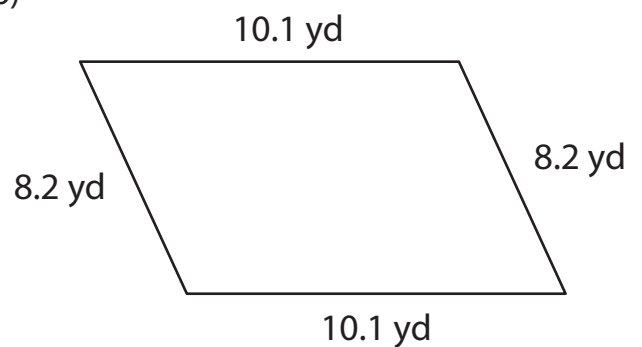
Perimeter = **26.8 in**

5)



Perimeter = **25.2 ft**

6)



Perimeter = **36.6 yd**