



Perimeter of Quadrilateral

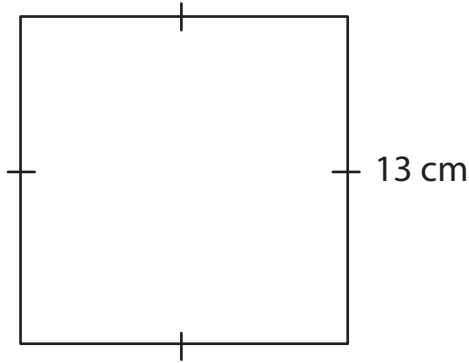
Name _____

Score _____

PQ:06

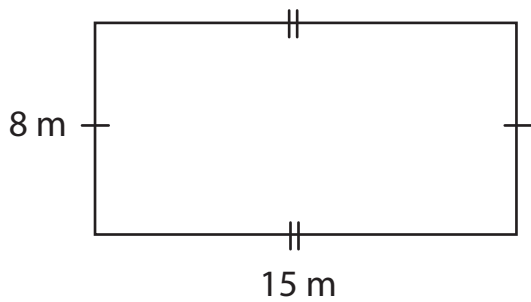
Find the perimeter of each quadrilateral.

1)



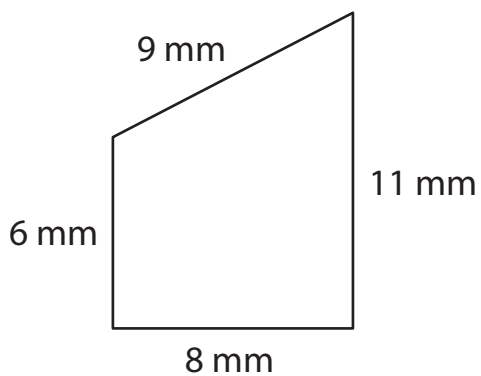
Perimeter =

3)



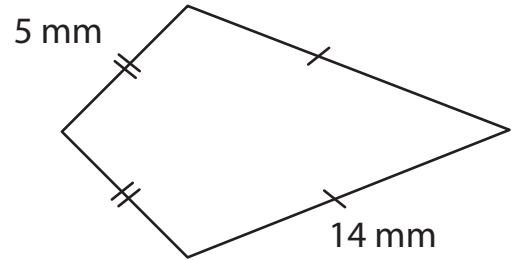
Perimeter =

5)



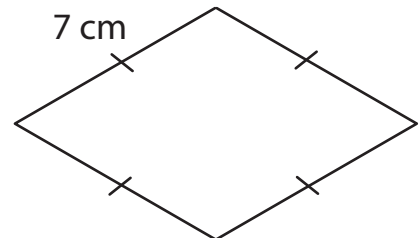
Perimeter =

2)



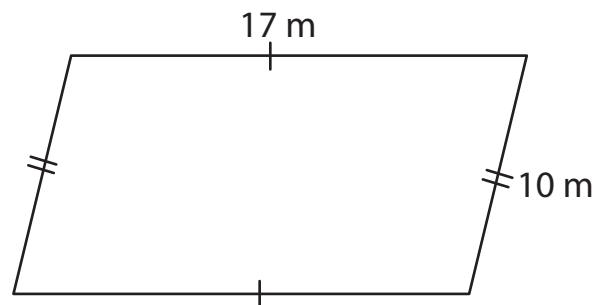
Perimeter =

4)



Perimeter =

6)



Perimeter =



Perimeter of Quadrilateral

Name _____

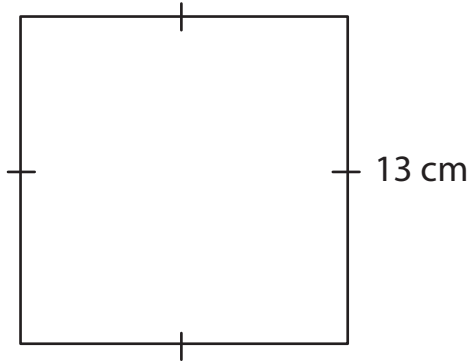
Score _____

Answer key

PQ:06

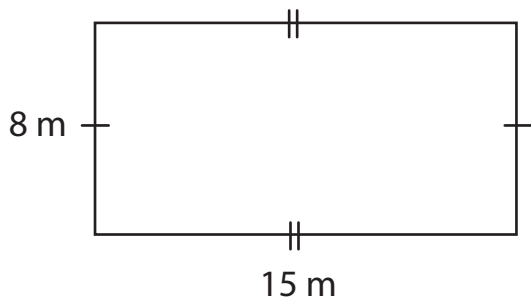
Find the perimeter of each quadrilateral.

1)



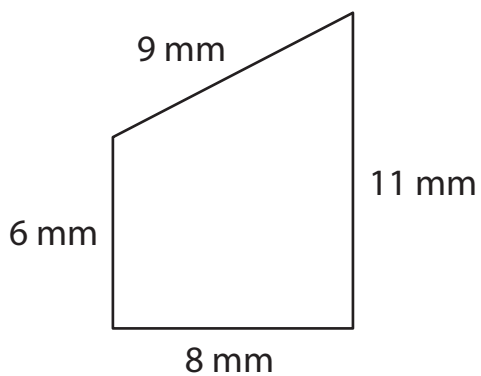
Perimeter = **52 cm**

3)



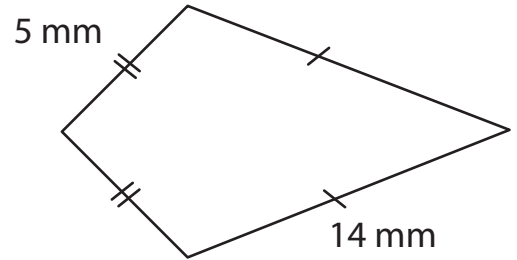
Perimeter = **46 m**

5)



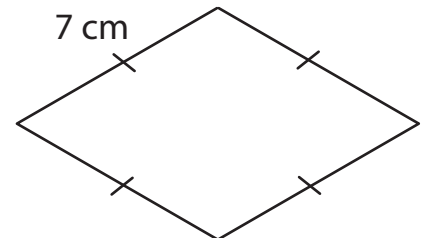
Perimeter = **34 mm**

2)



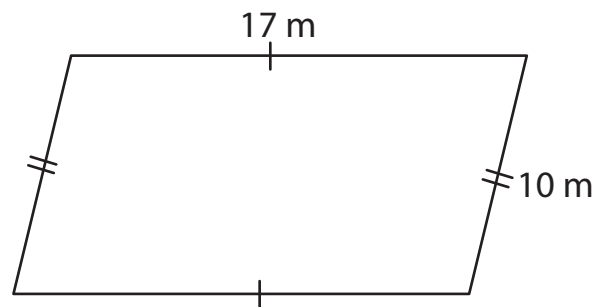
Perimeter = **38 mm**

4)



Perimeter = **28 cm**

6)



Perimeter = **54 m**