



# Perimeter of Quadrilateral

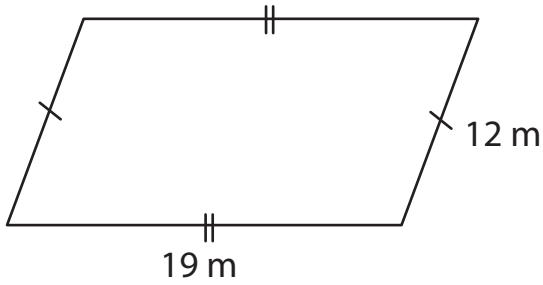
Name \_\_\_\_\_

Score \_\_\_\_\_

PQ:05

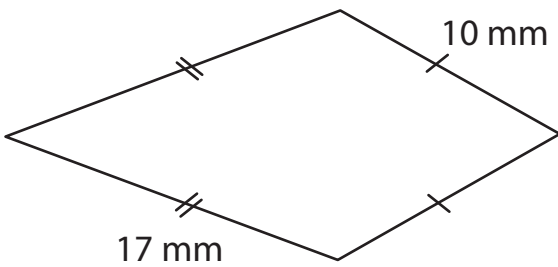
Find the perimeter of each quadrilateral.

1)



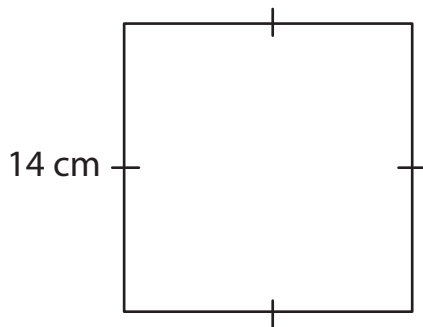
Perimeter =

4)



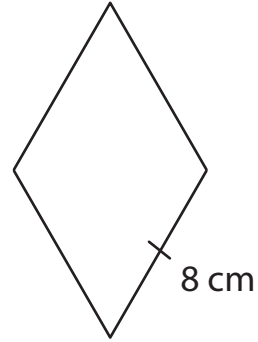
Perimeter =

6)



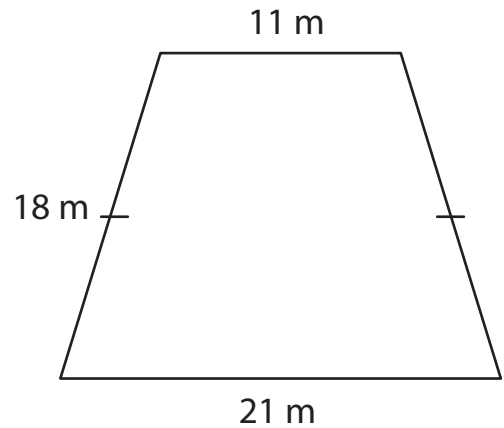
Perimeter =

2)



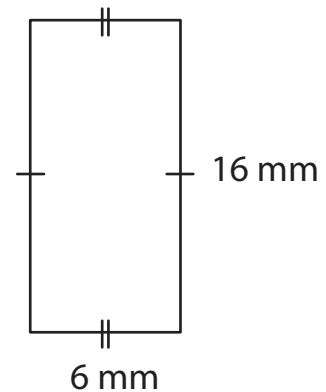
Perimeter =

5)



Perimeter =

7)



Perimeter =



# Perimeter of Quadrilateral

Name \_\_\_\_\_

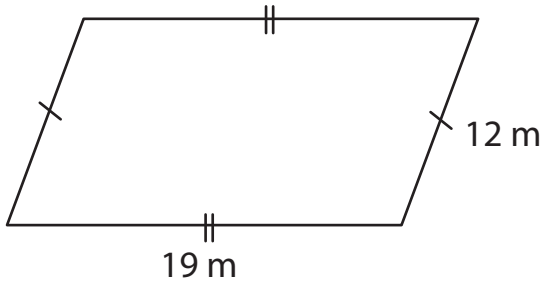
Score \_\_\_\_\_

## Answer key

PQ:05

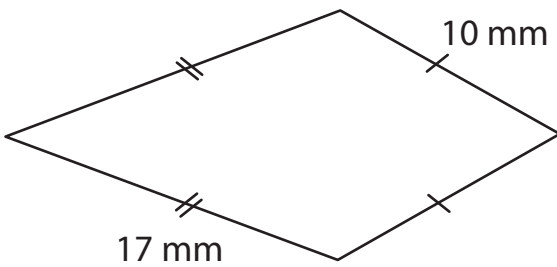
Find the perimeter of each quadrilateral.

1)



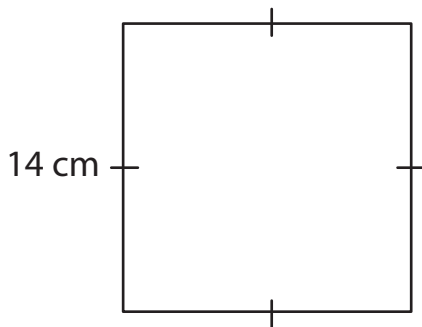
Perimeter = **62 m**

4)



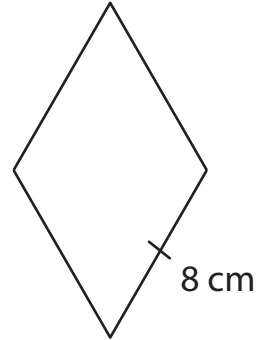
Perimeter = **54 mm**

6)



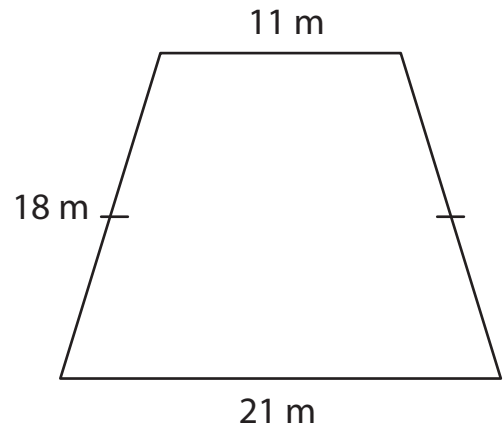
Perimeter = **56 cm**

2)



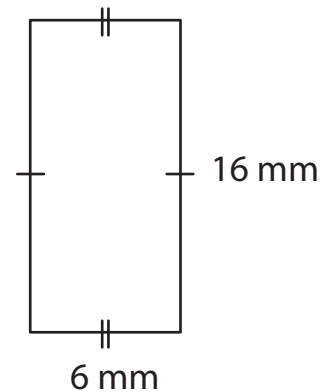
Perimeter = **32 cm**

5)



Perimeter = **68 m**

7)



Perimeter = **44 mm**