



# Perimeter of Quadrilateral

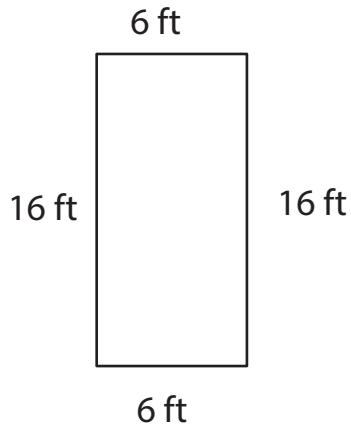
Name \_\_\_\_\_

Score \_\_\_\_\_

PQ:03

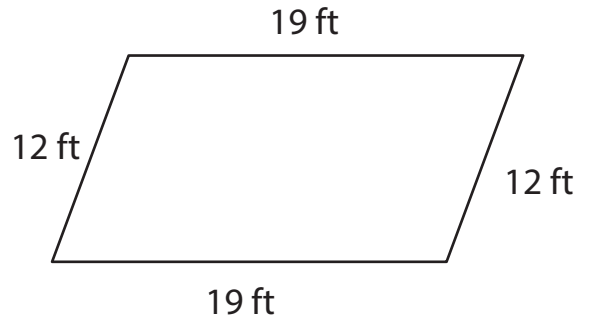
Find the perimeter of each quadrilateral.

1)



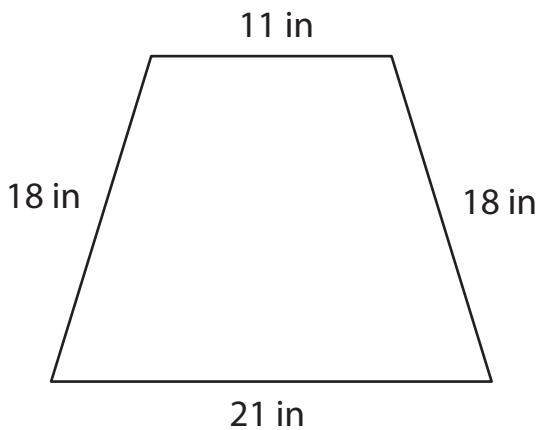
Perimeter = \_\_\_\_\_

2)



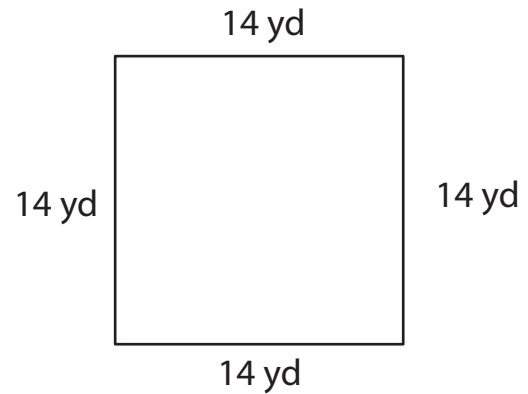
Perimeter = \_\_\_\_\_

3)



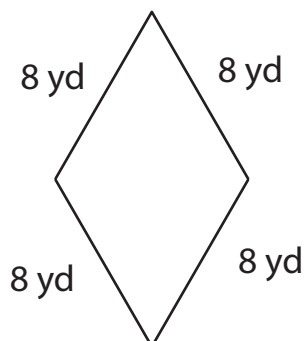
Perimeter = \_\_\_\_\_

4)



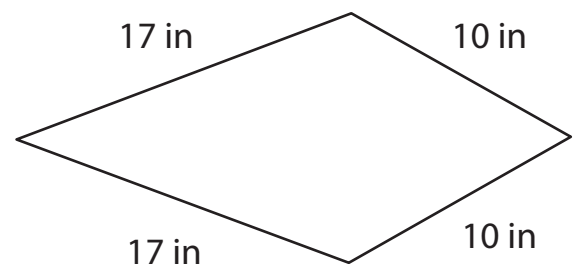
Perimeter = \_\_\_\_\_

5)



Perimeter = \_\_\_\_\_

6)



Perimeter = \_\_\_\_\_



# Perimeter of Quadrilateral

Name \_\_\_\_\_

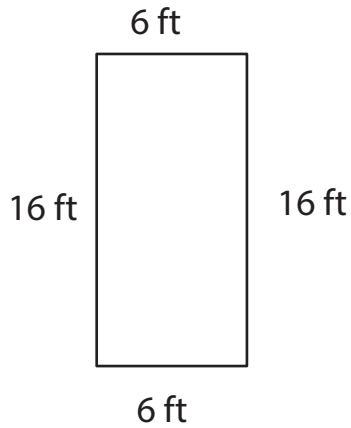
Score \_\_\_\_\_

## Answer key

PQ:03

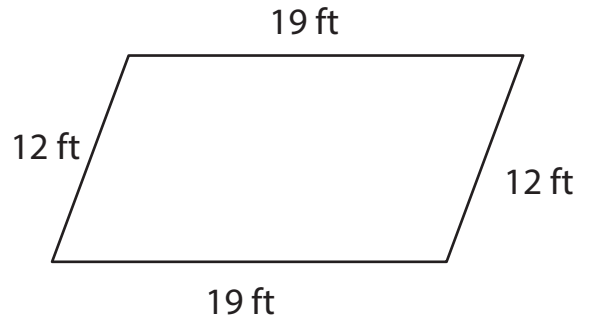
Find the perimeter of each quadrilateral.

1)



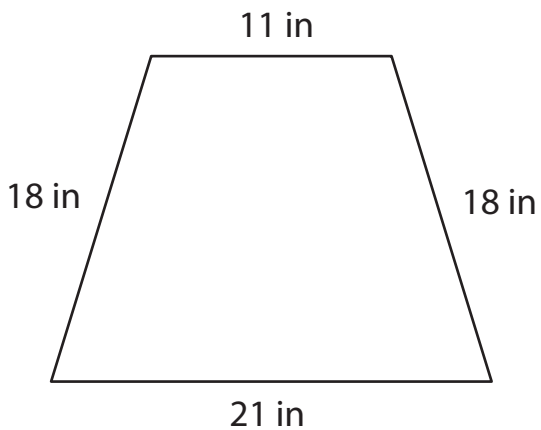
Perimeter = 44 ft

2)



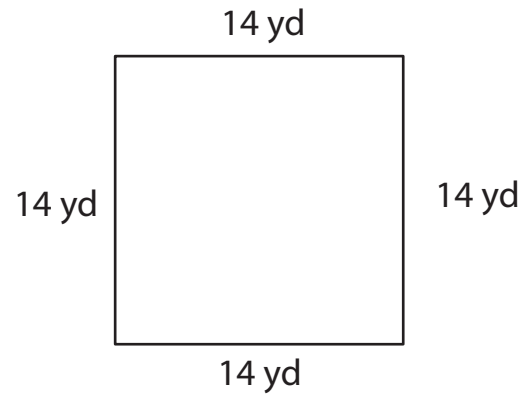
Perimeter = 62 ft

3)



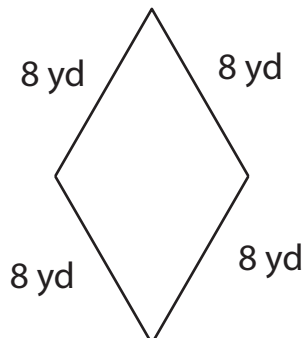
Perimeter = 68 in

4)



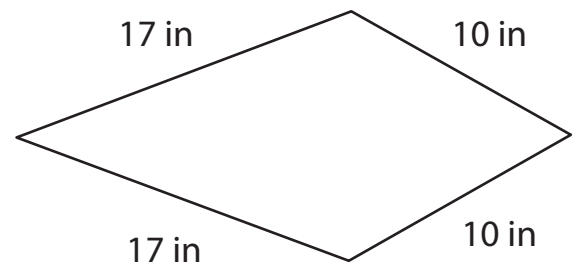
Perimeter = 56 yd

5)



Perimeter = 32 yd

6)



Perimeter = 54 in