



Perimeter of Quadrilateral

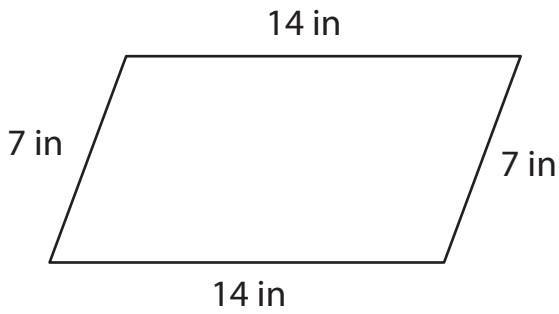
Name _____

Score _____

PQ:02

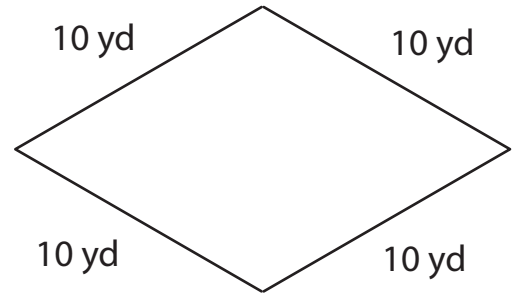
Find the perimeter of each quadrilateral.

1)



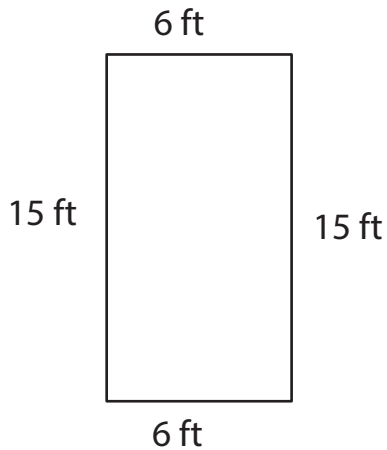
Perimeter = _____

2)



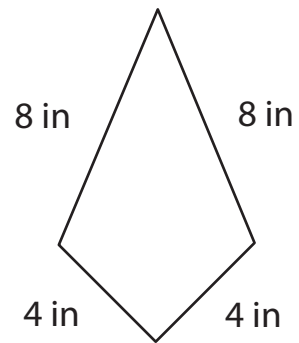
Perimeter = _____

3)



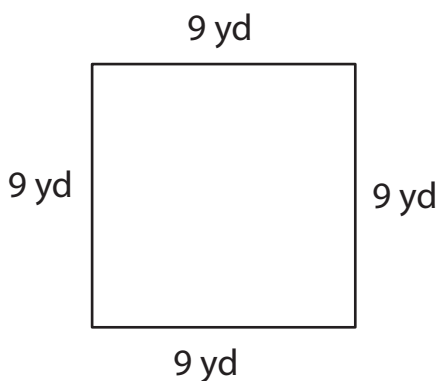
Perimeter = _____

4)



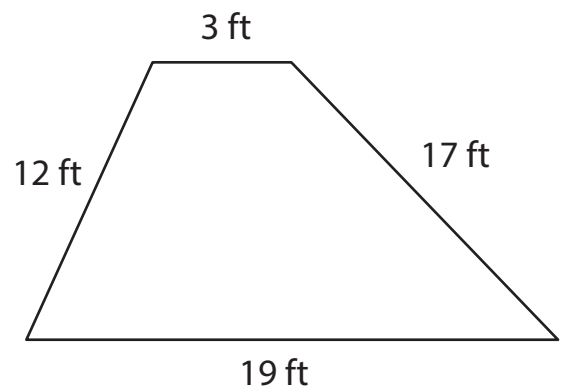
Perimeter = _____

5)



Perimeter = _____

6)



Perimeter = _____



Perimeter of Quadrilateral

Name _____

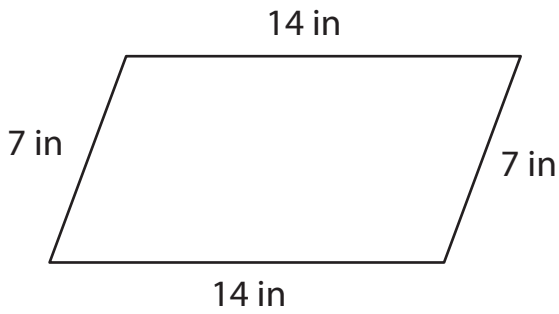
Score _____

Answer key

PQ:02

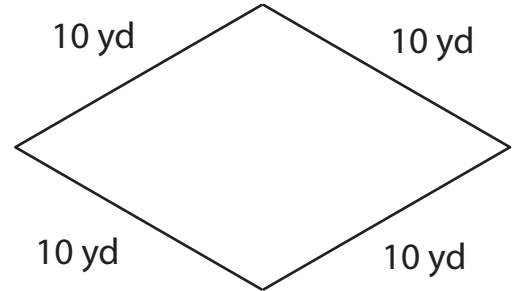
Find the perimeter of each quadrilateral.

1)



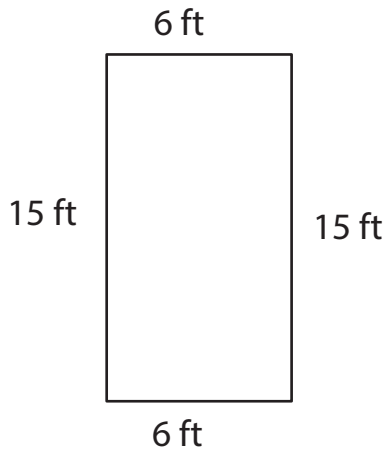
Perimeter = 42 in

2)



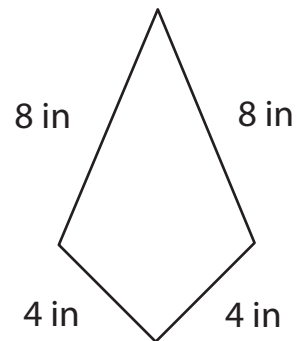
Perimeter = 40 yd

3)



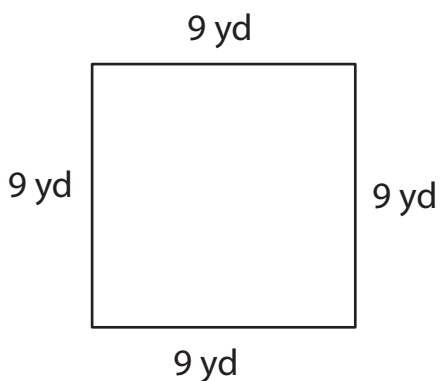
Perimeter = 42 ft

4)



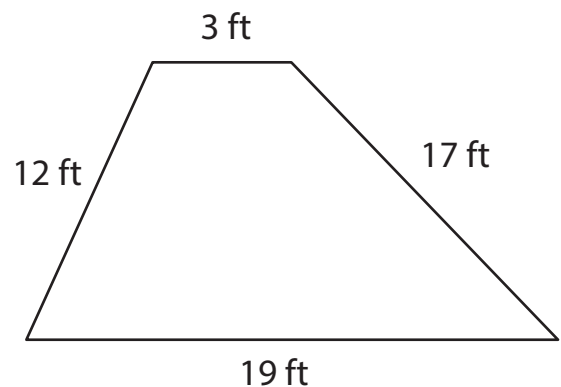
Perimeter = 24 in

5)



Perimeter = 36 yd

6)



Perimeter = 51 ft