

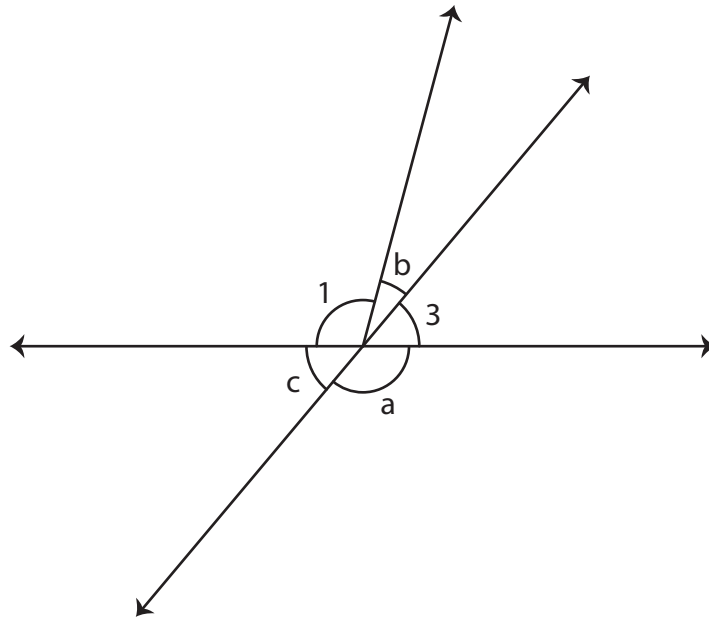


Pair of Angles

Name _____

Score _____

PA:40



- 1) $\angle 1$ and $\angle b$ are
- a) linear angles b) adjacent angles c) vertical angles

2) Write any three pairs of adjacent angles.

3) Circle the linear pair.

$m\angle 1$, $m\angle b$

$m\angle b$, $m\angle 3$

$m\angle 3$, $m\angle a$

4) Measure of $\angle c$ if $\angle 3$ is 50° .

5) $\angle a$ and $\angle c$ are linear angles. If $m\angle a = (x - 1)^\circ$, find the value of x .



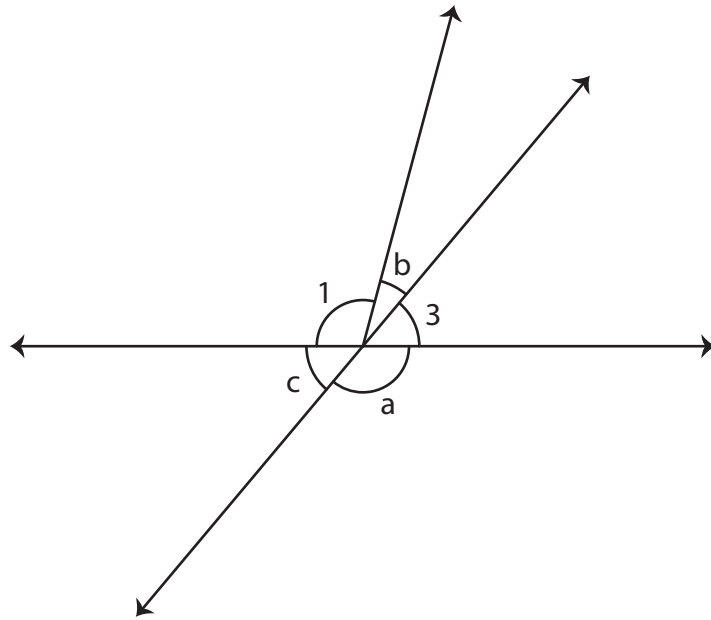
Pair of Angles

Name _____

Score _____

Answer key

PA:40



1) $\angle 1$ and $\angle b$ are

- a) linear angles ~~b) adjacent angles~~ c) vertical angles

2) Write any three pairs of adjacent angles.

$m\angle 1$ and $m\angle b$; $m\angle b$ and $m\angle 3$; $m\angle 3$ and $m\angle a$

3) Circle the linear pair.

$m\angle 1$, $m\angle b$

$m\angle b$, $m\angle 3$

$m\angle 3$, $m\angle a$

4) Measure of $\angle c$ if $\angle 3$ is 50° .

$m\angle c = 50^\circ$ (vertically opposite angles)

5) $\angle a$ and $\angle c$ are linear angles. If $m\angle a = (x - 1)^\circ$, find the value of x.

$x = 131$
