



Perimeter of Kites

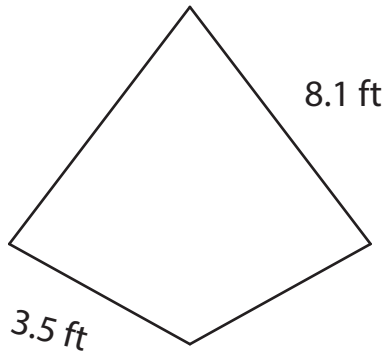
Name _____

Score _____

KK:11

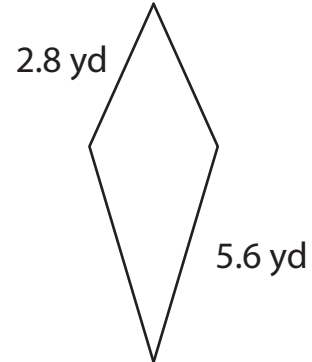
Find the perimeter of each kite.

1)



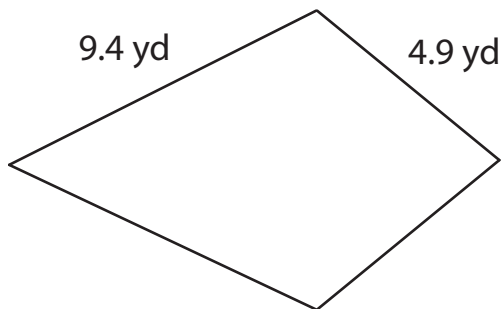
Perimeter =

2)



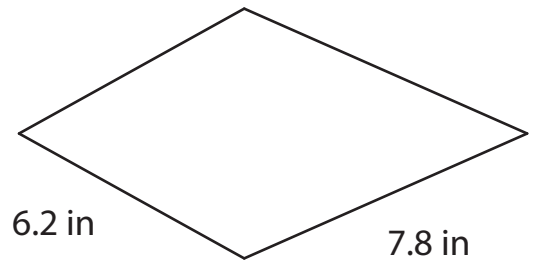
Perimeter =

3)



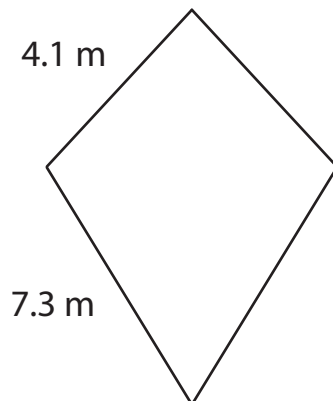
Perimeter =

4)



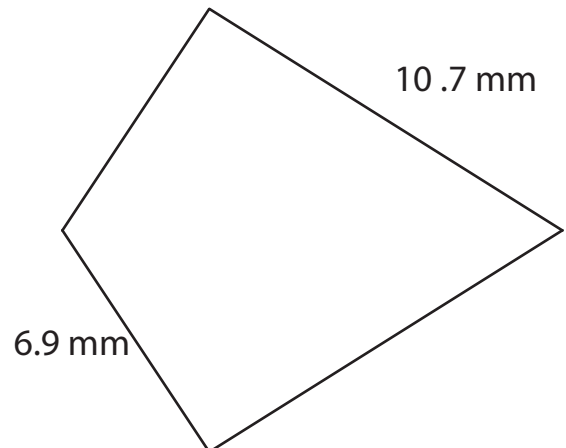
Perimeter =

5)



Perimeter =

6)



Perimeter =



Perimeter of Kites

Name _____

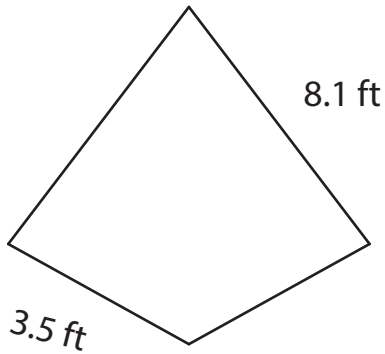
Score _____

Answer key

KK:11

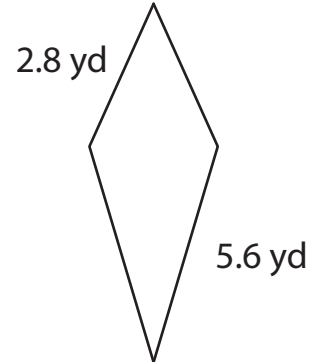
Find the perimeter of each kite.

1)



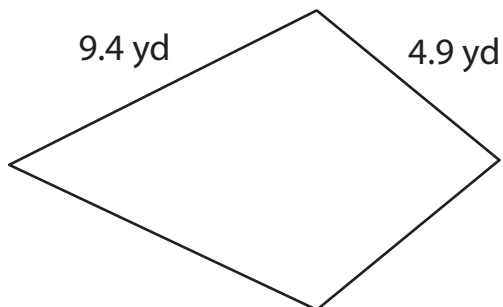
Perimeter = **23.2 ft**

2)



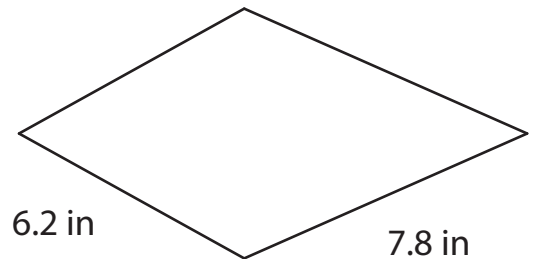
Perimeter = **16.8 yd**

3)



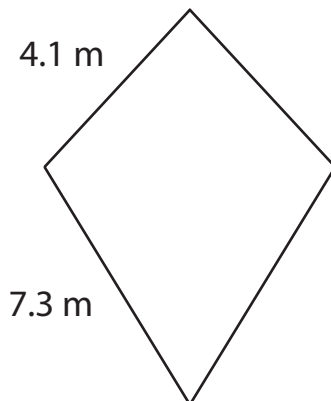
Perimeter = **28.6 yd**

4)



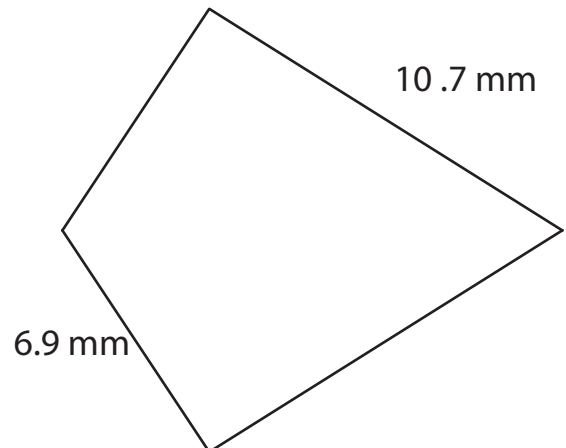
Perimeter = **28 in**

5)



Perimeter = **22.8 m**

6)



Perimeter = **35.2 mm**