



Perimeter of Kites

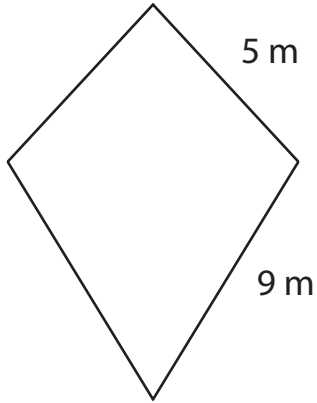
Name _____

Score _____

KK:09

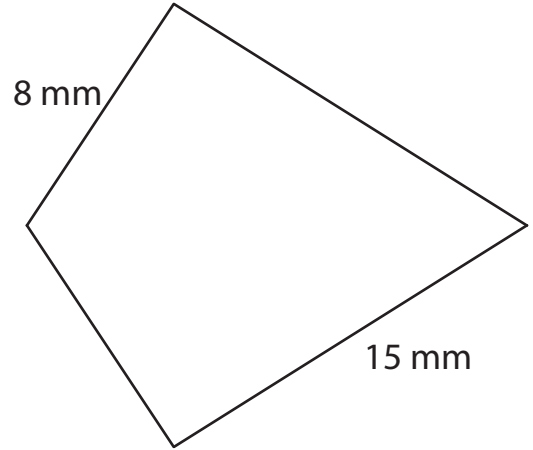
Find the perimeter of each kite.

1)



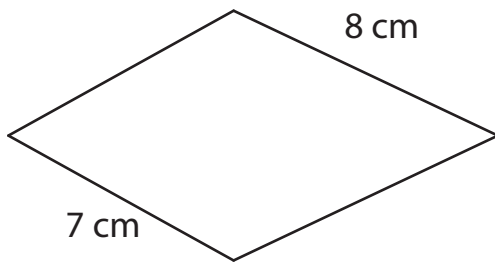
Perimeter =

2)



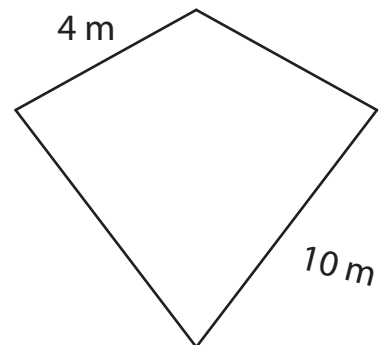
Perimeter =

3)



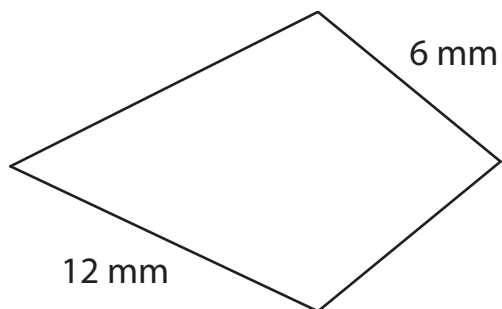
Perimeter =

4)



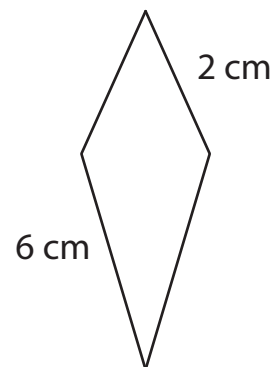
Perimeter =

5)



Perimeter =

6)



Perimeter =



Perimeter of Kites

Name _____

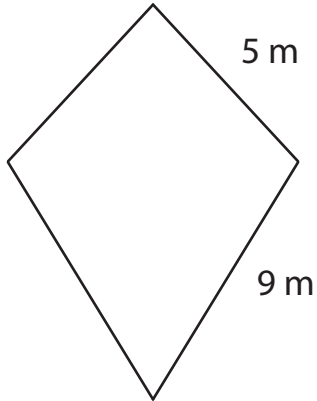
Score _____

Answer key

KK:09

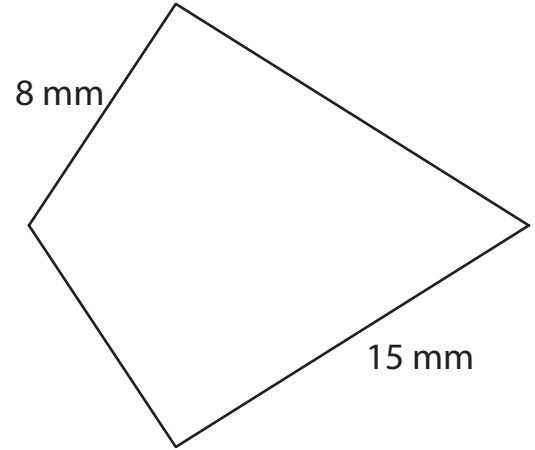
Find the perimeter of each kite.

1)



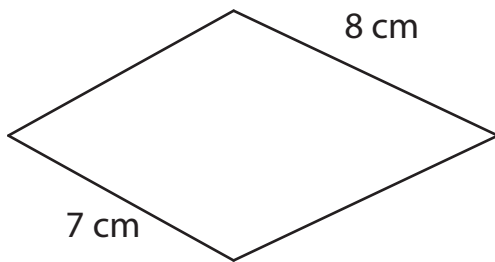
Perimeter = **28 mm**

2)



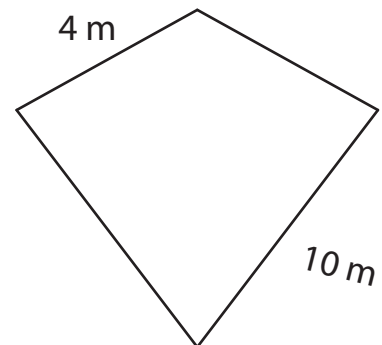
Perimeter = **46 cm**

3)



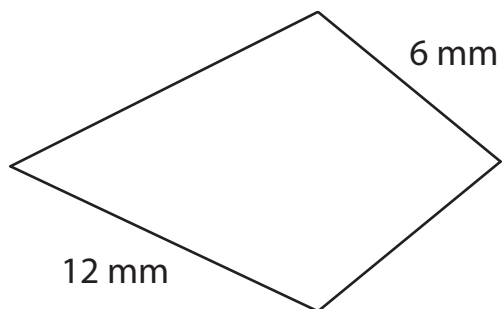
Perimeter = **30 m**

4)



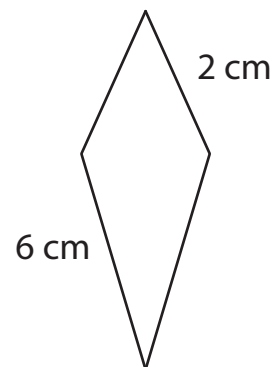
Perimeter = **28 mm**

5)



Perimeter = **36 cm**

6)



Perimeter = **16 m**