



Perimeter of Kites

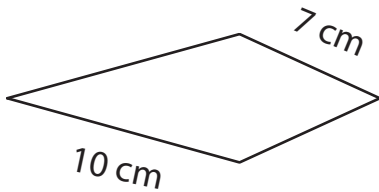
Name _____

Score _____

KK:08

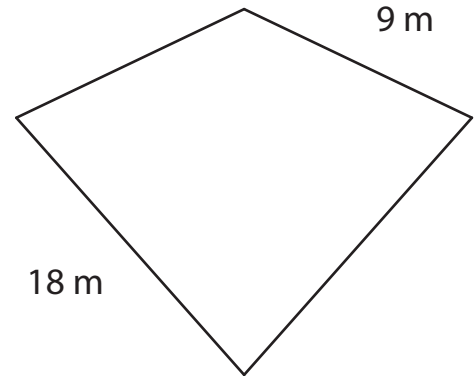
Find the perimeter of each kite.

1)



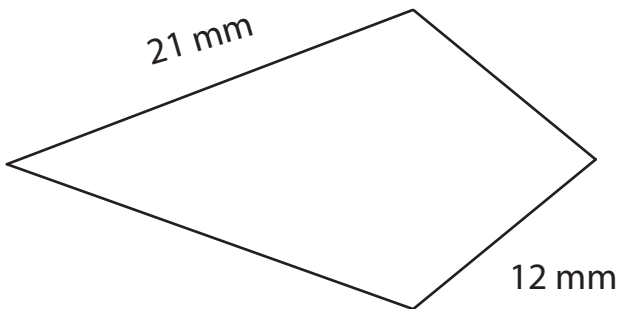
Perimeter =

2)



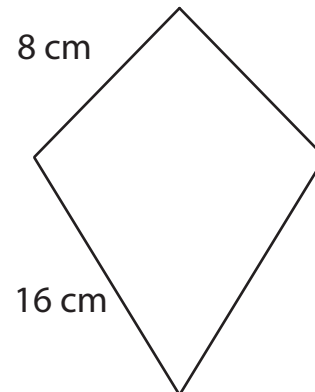
Perimeter =

3)



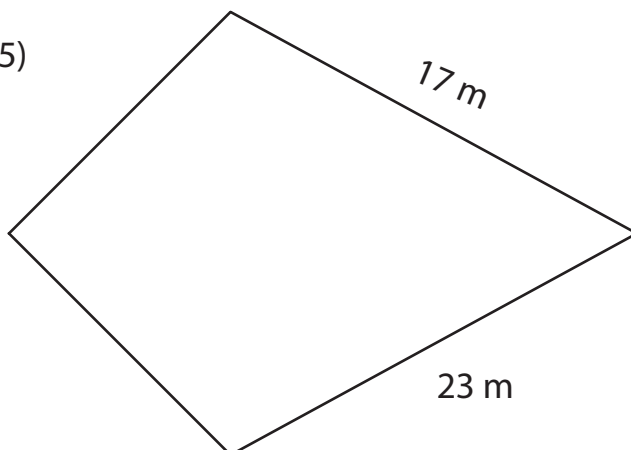
Perimeter =

4)



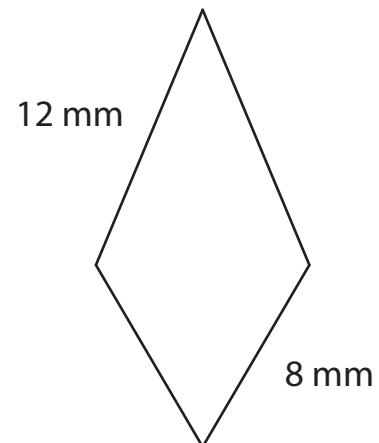
Perimeter =

5)



Perimeter =

6)



Perimeter =



Perimeter of Kites

Name _____

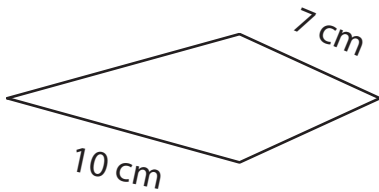
Score _____

Answer key

KK:08

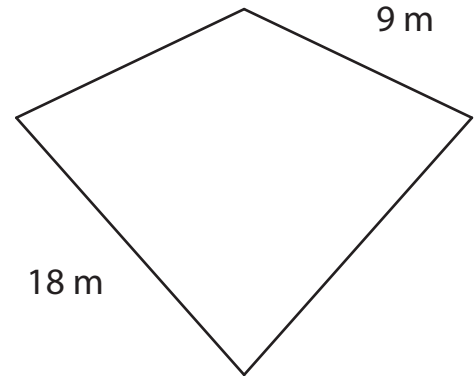
Find the perimeter of each kite.

1)



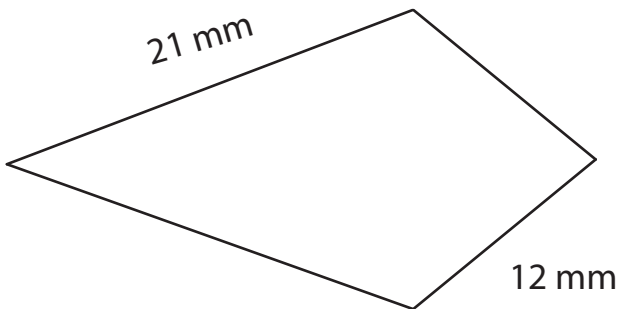
Perimeter = **34 cm**

2)



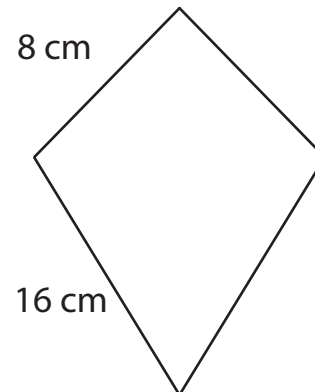
Perimeter = **54 m**

3)



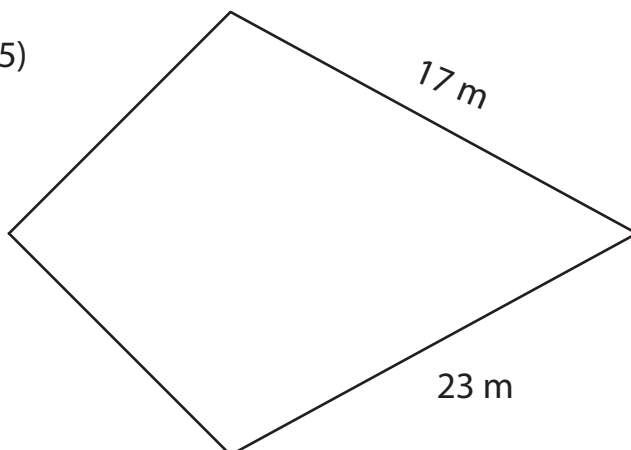
Perimeter = **66 mm**

4)



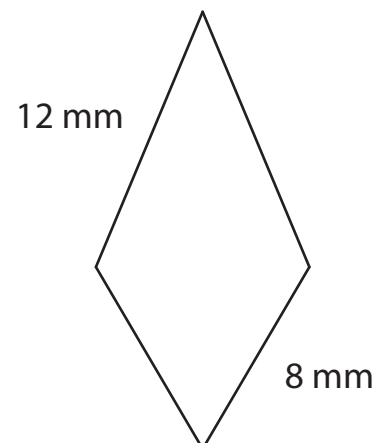
Perimeter = **48 cm**

5)



Perimeter = **80 m**

6)



Perimeter = **40 mm**