



Perimeter of Kites

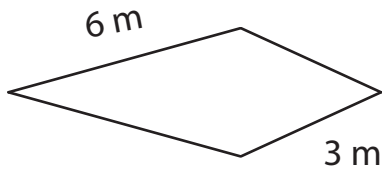
Name _____

Score _____

KK:07

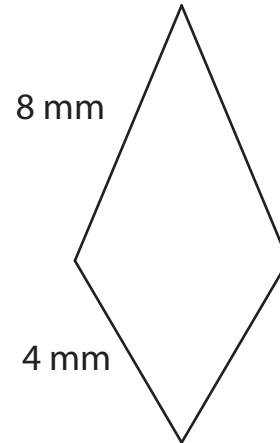
Find the perimeter of each kite.

1)



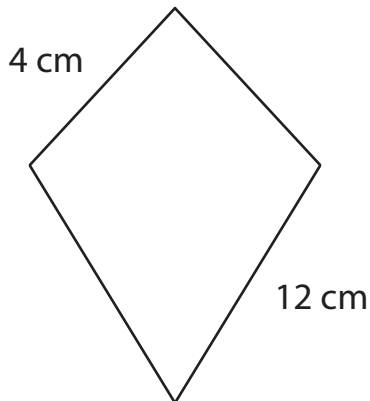
Perimeter =

2)



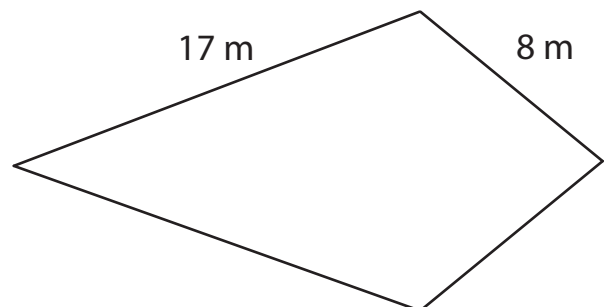
Perimeter =

3)



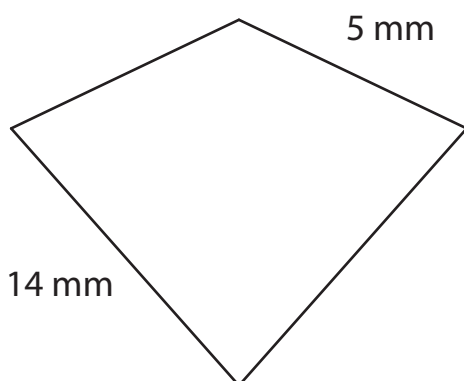
Perimeter =

4)



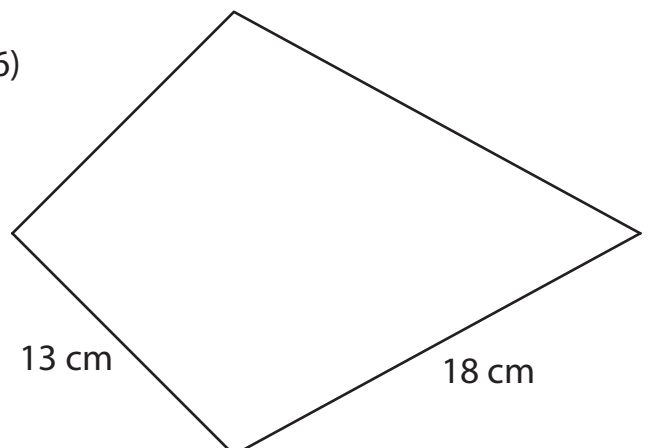
Perimeter =

5)



Perimeter =

6)



Perimeter =



Perimeter of Kites

Name _____

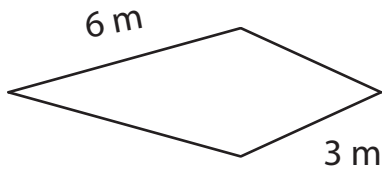
Score _____

Answer key

KK:07

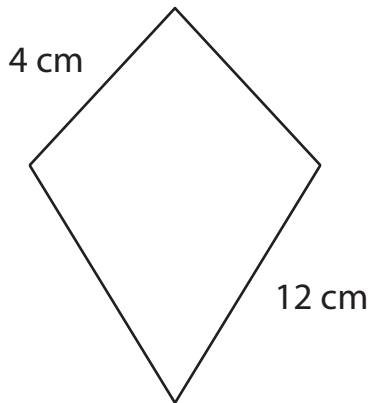
Find the perimeter of each kite.

1)



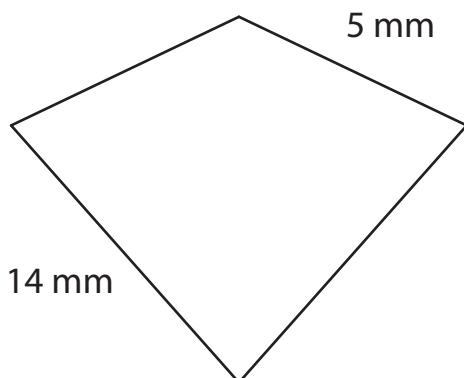
Perimeter = **18 m**

3)



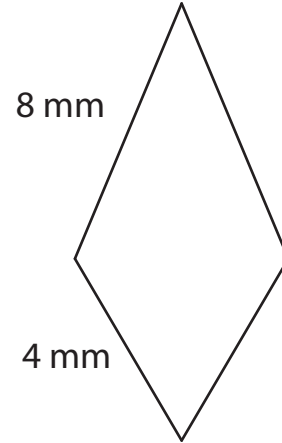
Perimeter = **32 cm**

5)



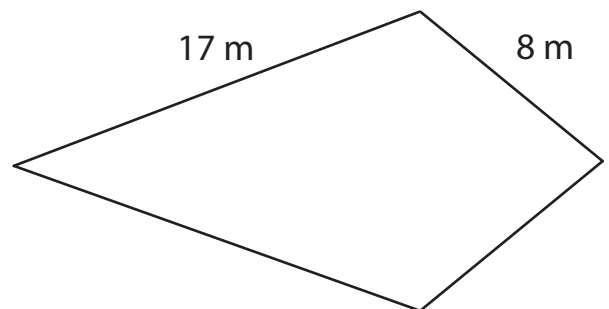
Perimeter = **38 mm**

2)



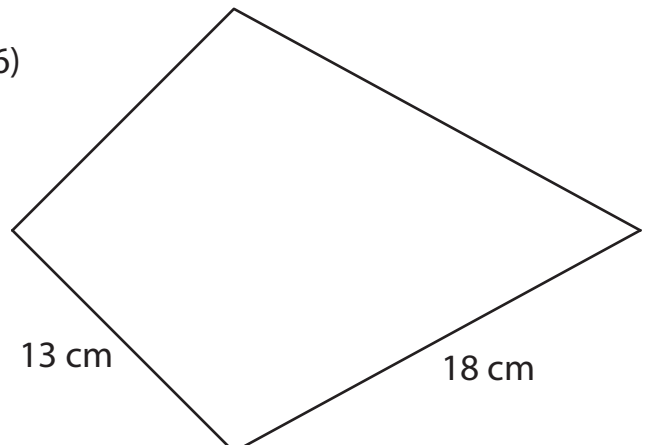
Perimeter = **24 mm**

4)



Perimeter = **50 m**

6)



Perimeter = **62 cm**