



Perimeter of Kites

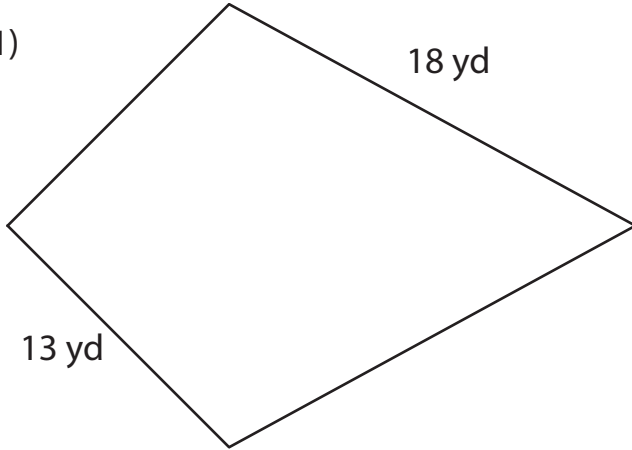
Name _____

Score _____

KK:05

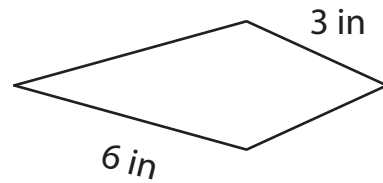
Find the perimeter of each kite.

1)



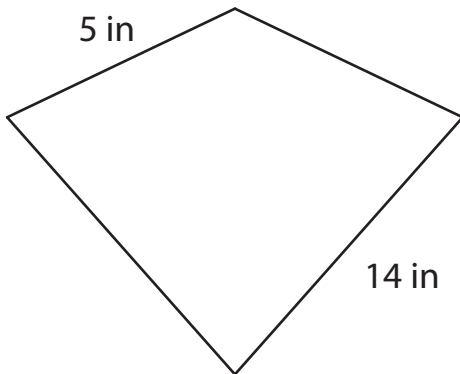
Perimeter = _____

2)



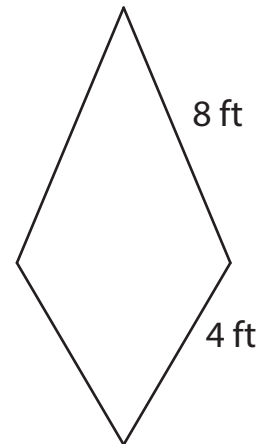
Perimeter = _____

3)



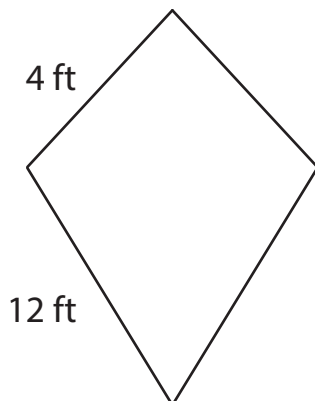
Perimeter = _____

4)



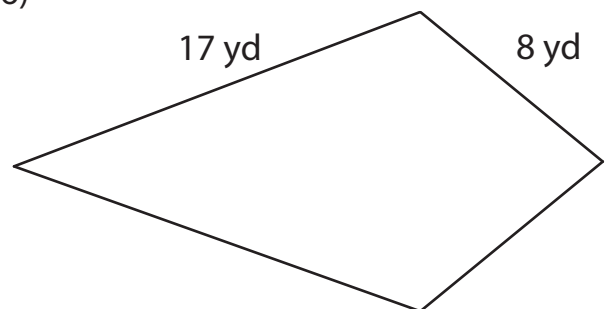
Perimeter = _____

5)



Perimeter = _____

6)



Perimeter = _____



Perimeter of Kites

Name _____

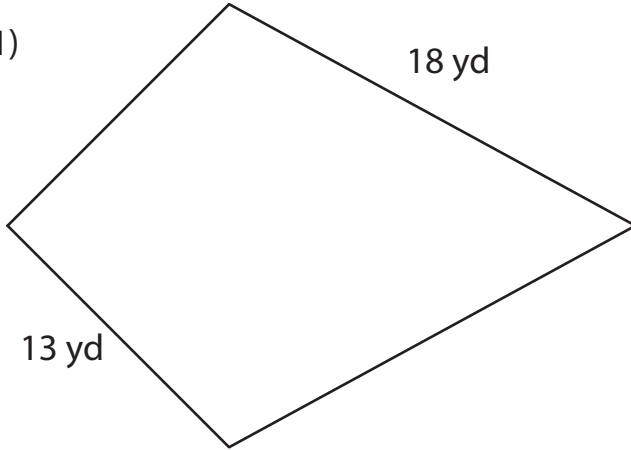
Score _____

Answer key

KK:05

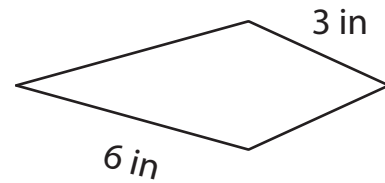
Find the perimeter of each kite.

1)



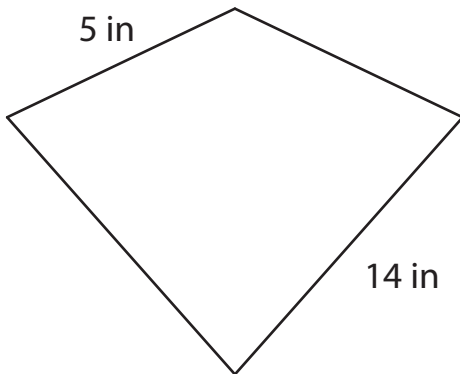
Perimeter = 62 yd

2)



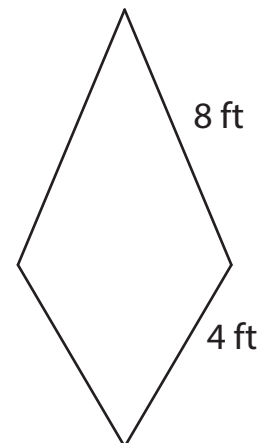
Perimeter = 18 in

3)



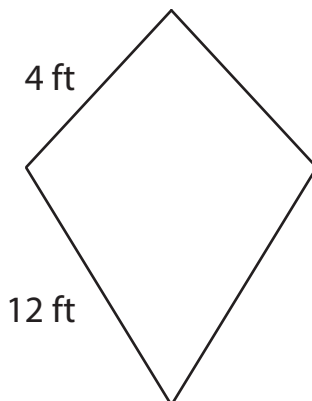
Perimeter = 38 in

4)



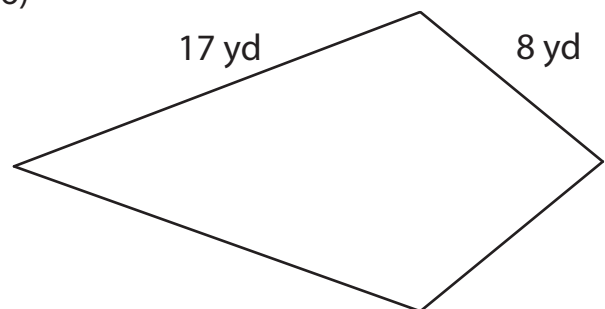
Perimeter = 24 ft

5)



Perimeter = 32 ft

6)



Perimeter = 50 yd