



# Exterior Angles

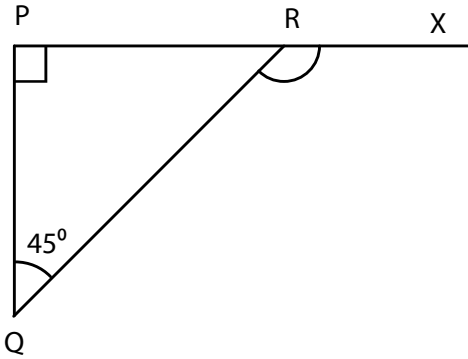
Name \_\_\_\_\_

Score \_\_\_\_\_

AT:15

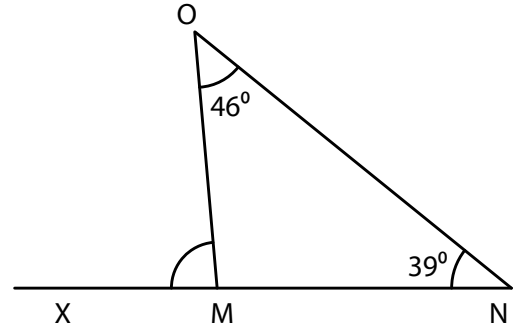
Find the missing angle.

1)



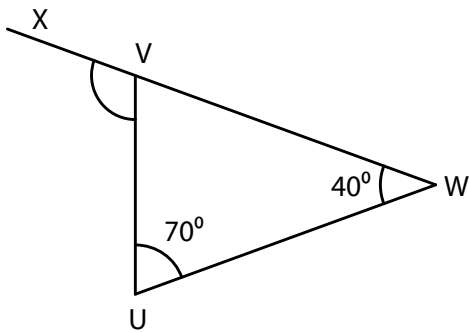
$$\angle QRX = \boxed{\phantom{000}}$$

2)



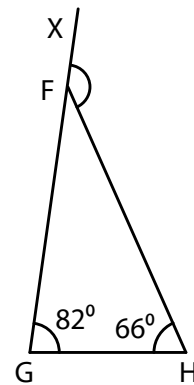
$$\angle OMX = \boxed{\phantom{000}}$$

3)



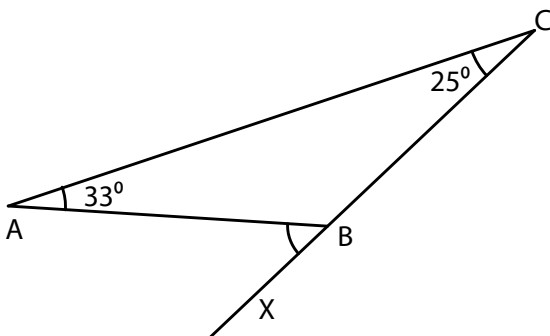
$$\angle UVX = \boxed{\phantom{000}}$$

4)



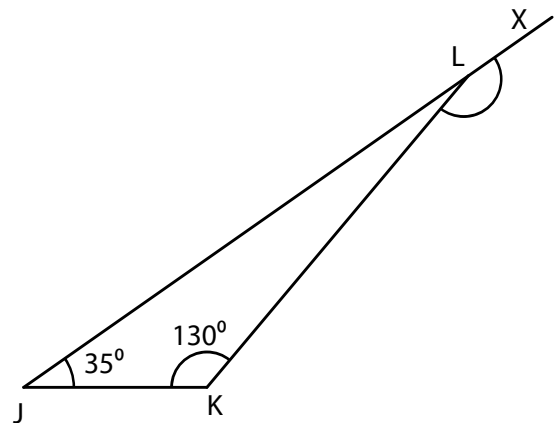
$$\angle HFX = \boxed{\phantom{000}}$$

5)



$$\angle ABX = \boxed{\phantom{000}}$$

6)



$$\angle KLX = \boxed{\phantom{000}}$$



# Exterior Angles

Name \_\_\_\_\_

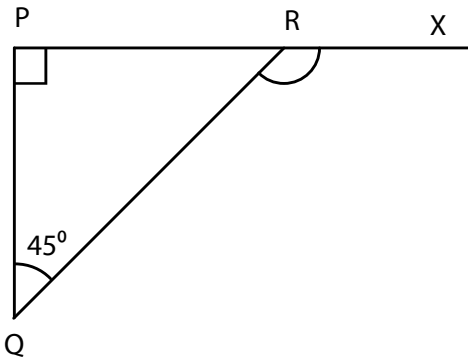
Score \_\_\_\_\_

## Answer key

AT:15

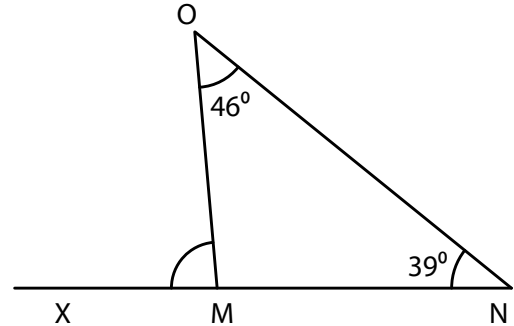
Find the missing angle.

1)



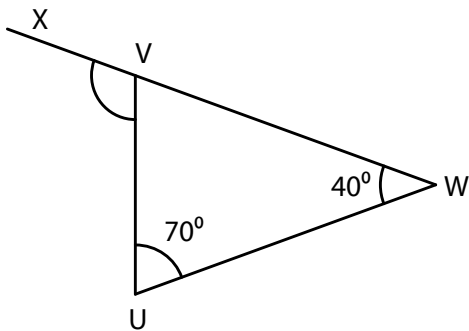
$$\angle QRX = 135^\circ$$

2)



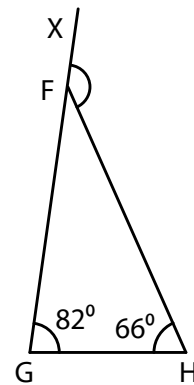
$$\angle OMX = 85^\circ$$

3)



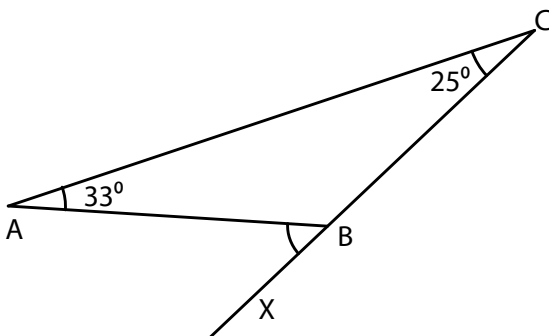
$$\angle UVX = 110^\circ$$

4)



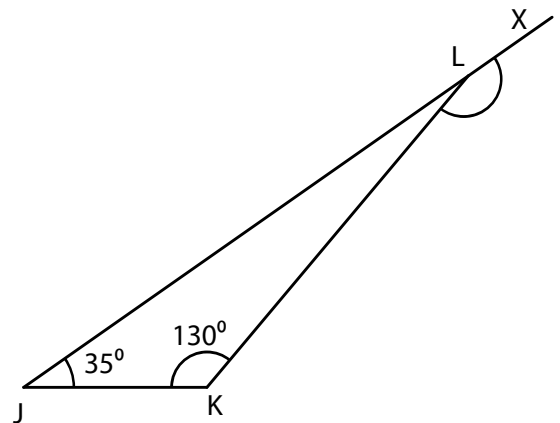
$$\angle HFX = 148^\circ$$

5)



$$\angle ABX = 58^\circ$$

6)



$$\angle KLX = 165^\circ$$