



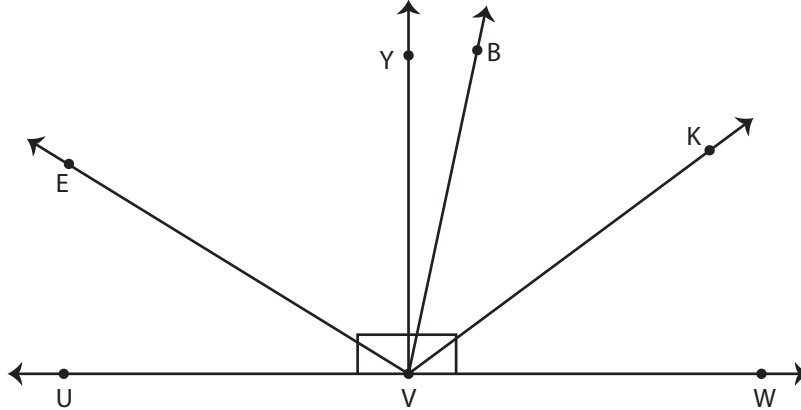
CLASSIFYING ANGLES

Name _____

Score _____

AT:14

Against each angle, mention it as acute, right, obtuse or straight.



a) $m\angle YVU =$

d) $m\angle UVW =$

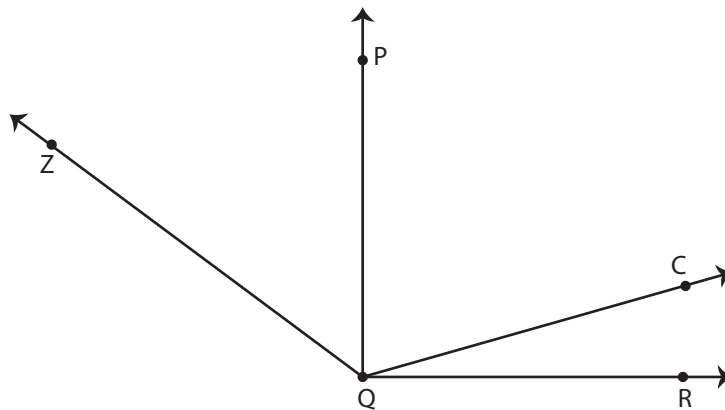
b) $m\angle EVY =$

e) $m\angle BVE =$

c) $m\angle KVV =$

f) $m\angle WVE =$

Find all the angles from the figure given below and write them in the right column.



Acute angles	Right angles	Obtuse angles



CLASSIFYING ANGLES

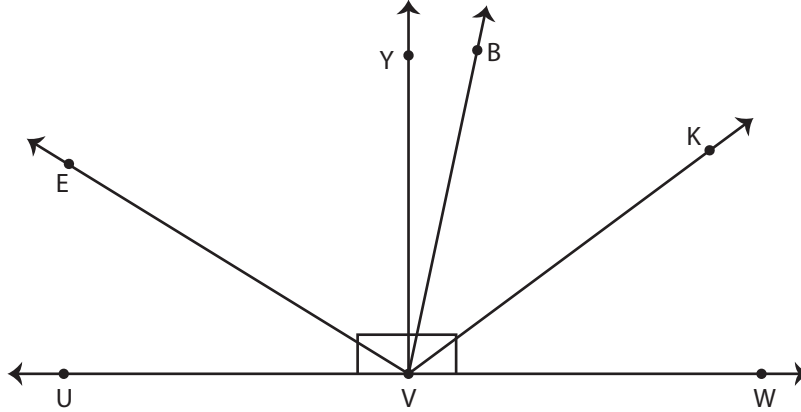
Name _____

Score _____

Answer key

AT:14

Against each angle, mention it as acute, right, obtuse or straight.



a) $m\angle YVU =$

Right angle

d) $m\angle UVW =$

Straight angle

b) $m\angle EVY =$

Acute angle

e) $m\angle BVE =$

Acute angle

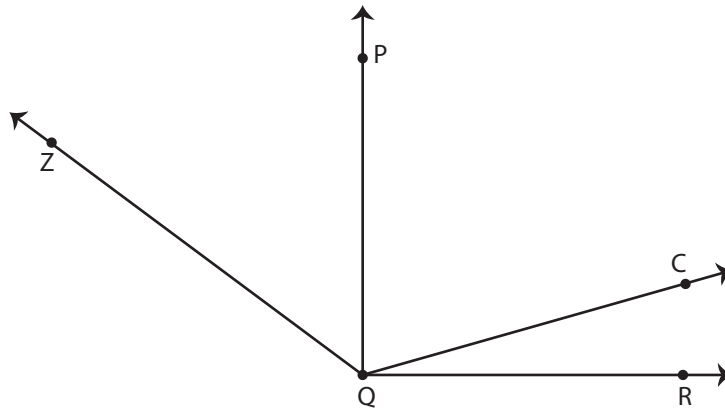
c) $m\angle KVU =$

Obtuse angle

f) $m\angle WVE =$

Obtuse angle

Find all the angles from the figure given below and write them in the right column.



Acute angles	Right angles	Obtuse angles
$\angle ZQP$ or $\angle PQZ$	$\angle PQR$ or $\angle RQP$	$\angle ZQR$ or $\angle RQZ$
$\angle PQC$ or $\angle CQP$		$\angle ZQC$ or $\angle CQZ$
$\angle CQR$ or $\angle RQC$		