



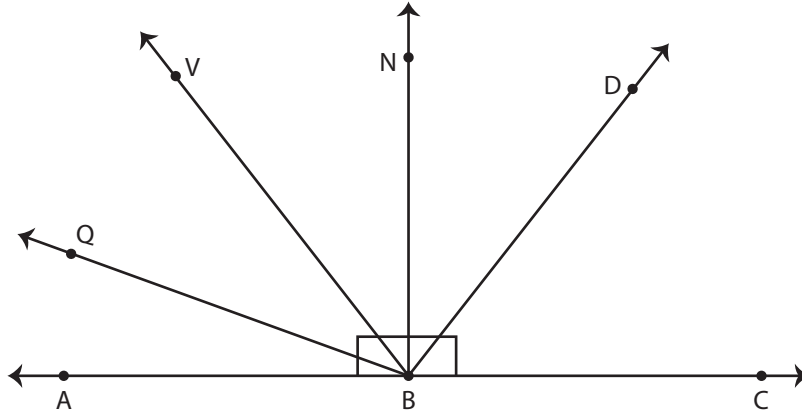
# CLASSIFYING ANGLES

Name \_\_\_\_\_

Score \_\_\_\_\_

AT:13

Against each angle, mention it as acute, right, obtuse or straight.



a)  $m\angle QBN =$

d)  $m\angle ABN =$

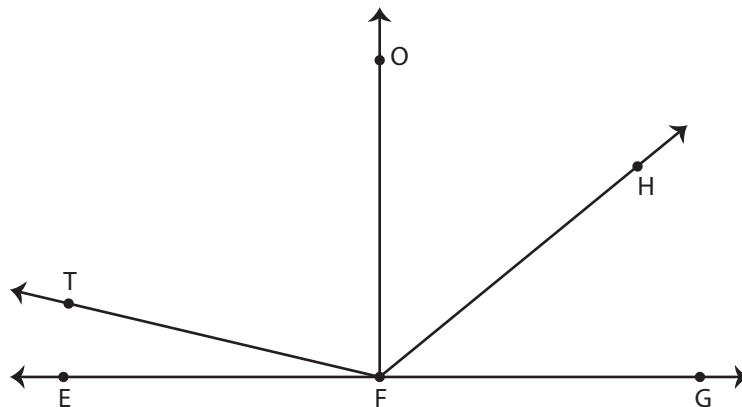
b)  $m\angle DBA =$

e)  $m\angle CBV =$

c)  $m\angle ABC =$

f)  $m\angle NBC =$

Find all the angles from the figure given below and write them in the right column.



Acute angles	Right angles	Obtuse angles



# CLASSIFYING ANGLES

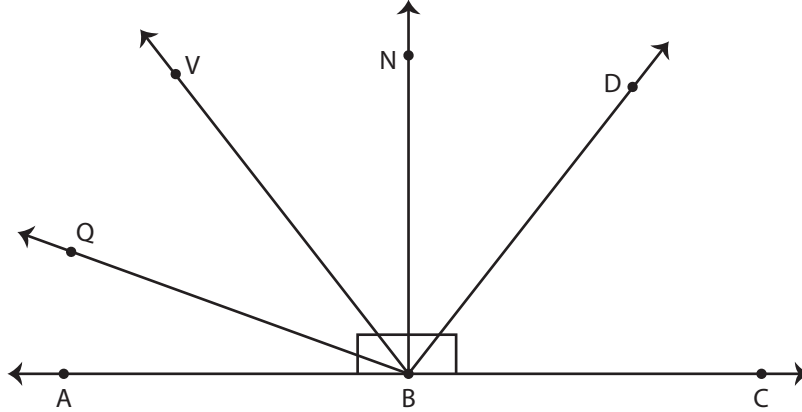
Name \_\_\_\_\_

Score \_\_\_\_\_

## Answer key

AT:13

Against each angle, mention it as acute, right, obtuse or straight.



a)  $m\angle QBN =$

**Acute angle**

d)  $m\angle ABN =$

**Right angle**

b)  $m\angle DBA =$

**Obtuse angle**

e)  $m\angle CBV =$

**Obtuse angle**

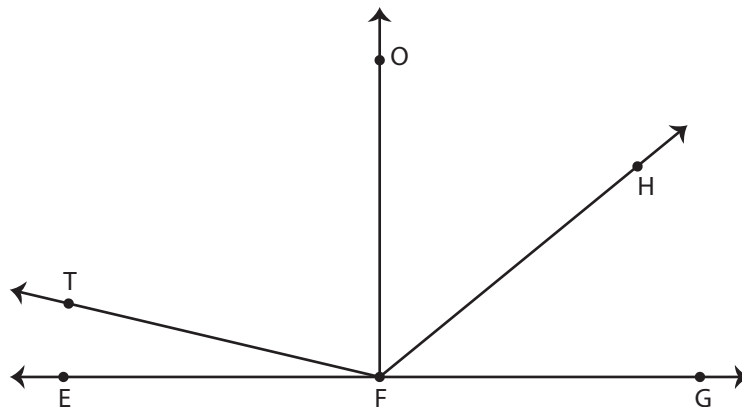
c)  $m\angle ABC =$

**Straight angle**

f)  $m\angle NBC =$

**Right angle**

Find all the angles from the figure given below and write them in the right column.



Acute angles	Right angles	Obtuse angles
$\angle EFT$ or $\angle TFE$	$\angle EFO$ or $\angle OFE$	$\angle TFH$ or $\angle HFT$
$\angle TFO$ or $\angle OFT$	$\angle OFG$ or $\angle GFO$	$\angle TFG$ or $\angle GFT$
$\angle OFH$ or $\angle HFO$		$\angle EFH$ or $\angle HFE$
$\angle HFG$ or $\angle GFH$		