



# Exterior Angles

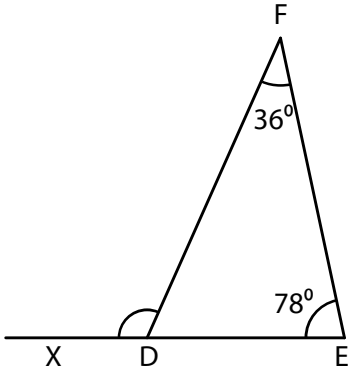
Name \_\_\_\_\_

Score \_\_\_\_\_

AT:13

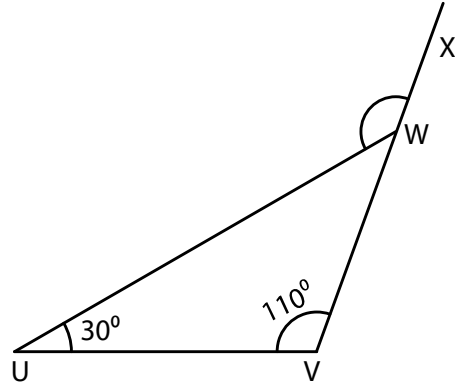
Find the missing angle.

1)



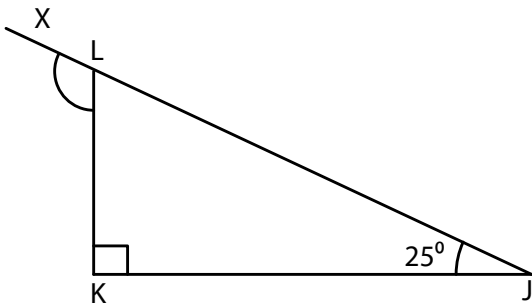
$\angle FDX =$

2)



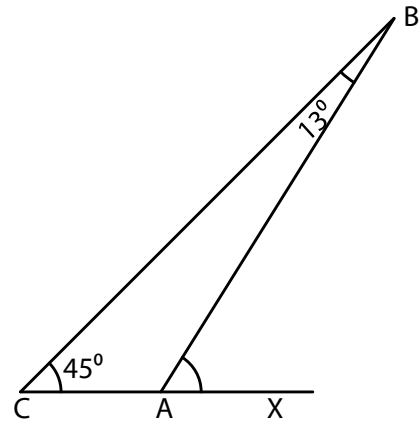
$\angle UWX =$

3)



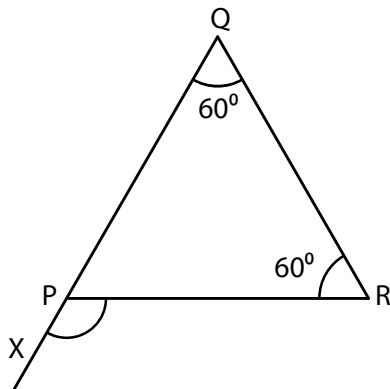
$\angle KLX =$

4)



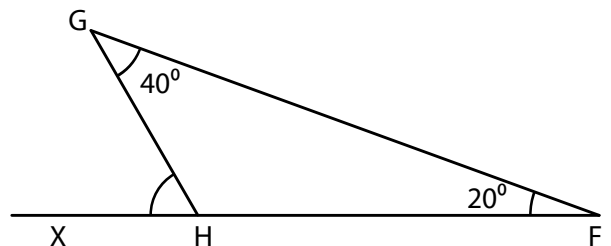
$\angle BAX =$

5)



$\angle RPX =$

6)



$\angle GHX =$



# Exterior Angles

Name \_\_\_\_\_

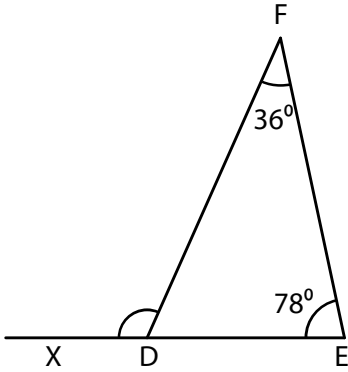
Score \_\_\_\_\_

## Answer key

AT:13

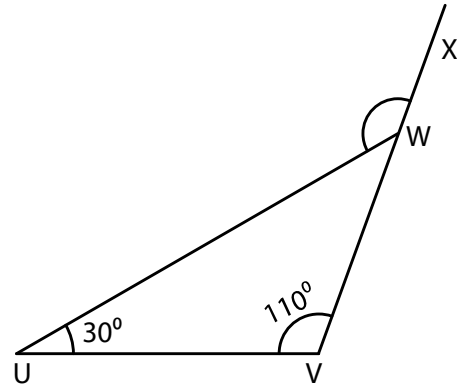
Find the missing angle.

1)



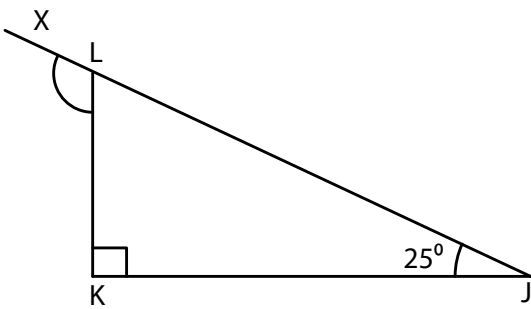
$$\angle FDX = \mathbf{114^\circ}$$

2)



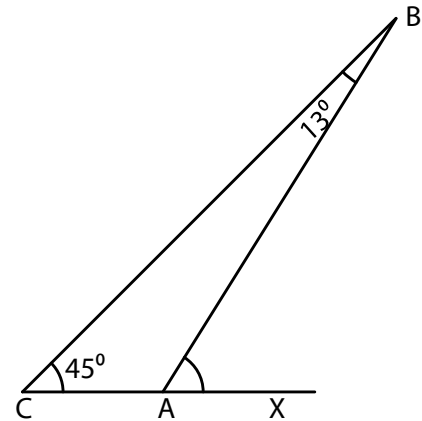
$$\angle UWX = \mathbf{140^\circ}$$

3)



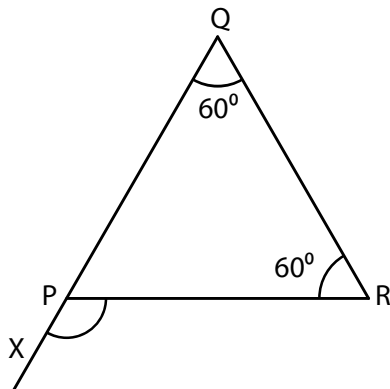
$$\angle KLX = \mathbf{115^\circ}$$

4)



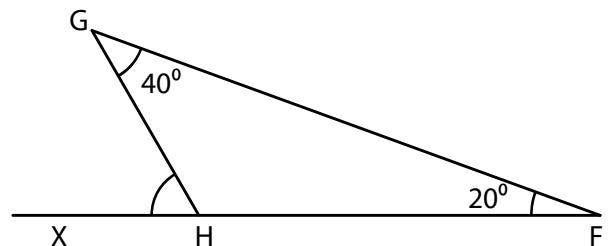
$$\angle BAX = \mathbf{58^\circ}$$

5)



$$\angle RPX = \mathbf{120^\circ}$$

6)



$$\angle GHX = \mathbf{60^\circ}$$