



Interior Angles

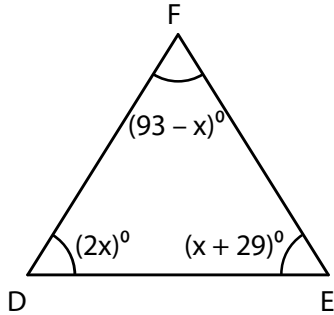
Name _____

Score _____

AT:11

Find x and also the three angles.

1)



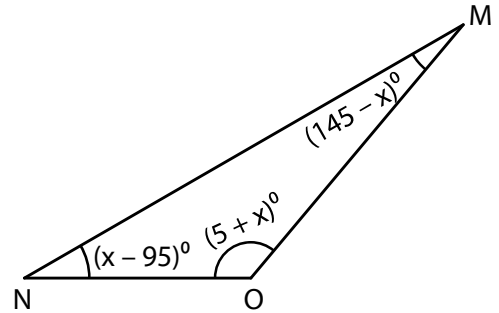
$x =$

$\angle D =$

$\angle E =$

$\angle F =$

2)



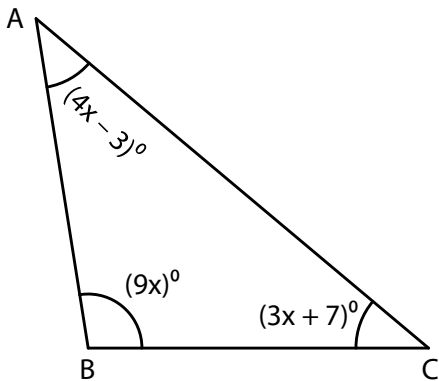
$x =$

$\angle M =$

$\angle N =$

$\angle O =$

3)



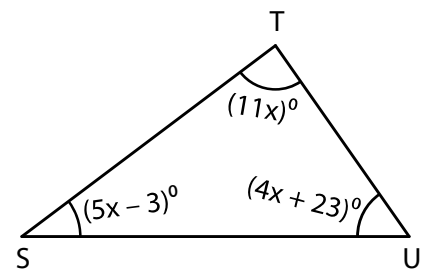
$x =$

$\angle A =$

$\angle B =$

$\angle C =$

4)



$x =$

$\angle S =$

$\angle T =$

$\angle U =$



Interior Angles

Name _____

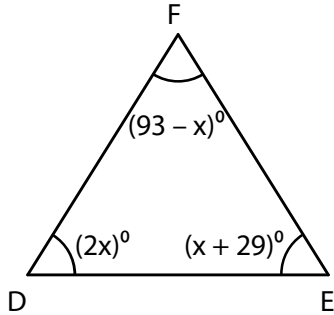
Score _____

Answer key

AT:11

Find x and also the three angles.

1)



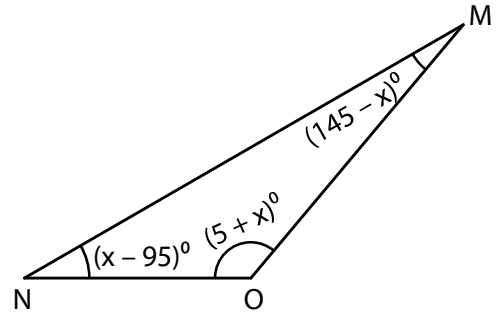
$x =$ **29**

$\angle D =$ **58°**

$\angle E =$ **58°**

$\angle F =$ **64°**

2)



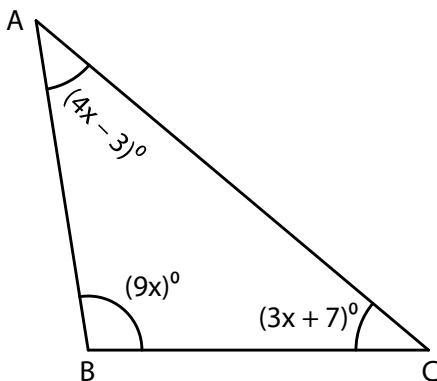
$x =$ **125**

$\angle M =$ **20°**

$\angle N =$ **30°**

$\angle O =$ **130°**

3)



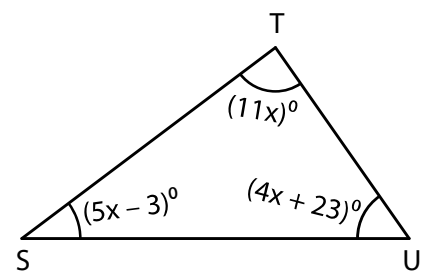
$x =$ **11**

$\angle A =$ **41°**

$\angle B =$ **99°**

$\angle C =$ **40°**

4)



$x =$ **8**

$\angle S =$ **37°**

$\angle T =$ **88°**

$\angle U =$ **55°**