



# Interior Angles

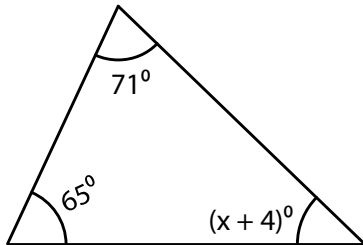
Name \_\_\_\_\_

Score \_\_\_\_\_

AT:08

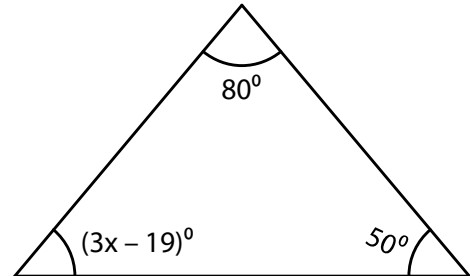
Find the value of x.

1)



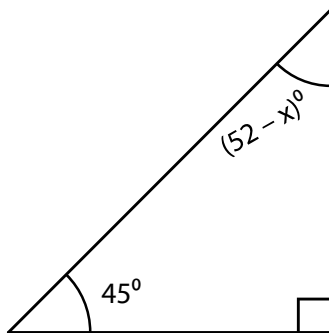
x =

2)



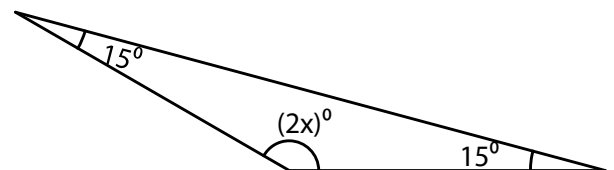
x =

3)



x =

4)



x =

The angles of the triangle are given. Find the value of x.

1)  $(10x)^\circ, 55^\circ, 25^\circ$

x =

2)  $3^\circ, (3x + 16)^\circ, 140^\circ$

x =

3)  $30^\circ, 12^\circ, (x + 4)^\circ$

x =

4)  $(21 - x)^\circ, 120^\circ, 40^\circ$

x =



# Interior Angles

Name \_\_\_\_\_

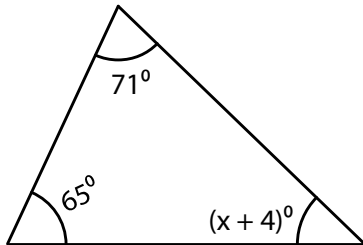
Score \_\_\_\_\_

## Answer key

AT:08

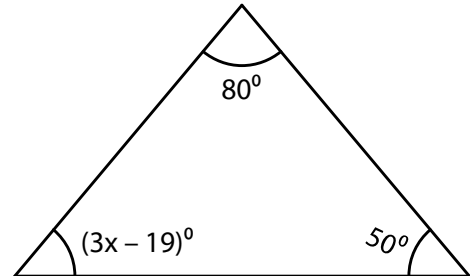
Find the value of x.

1)



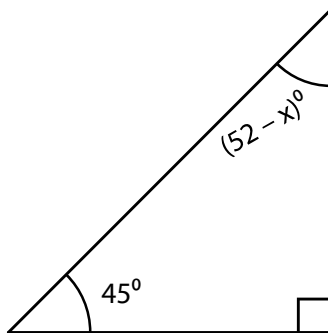
x = **40**

2)



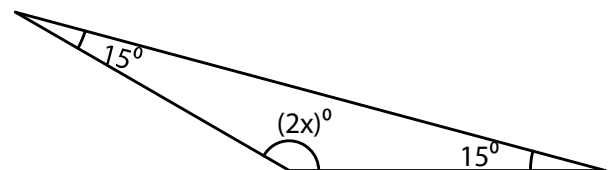
x = **23**

3)



x = **7**

4)



x = **75**

The angles of the triangle are given. Find the value of x.

1)  $(10x)^\circ, 55^\circ, 25^\circ$

x = **10**

2)  $3^\circ, (3x + 16)^\circ, 140^\circ$

x = **7**

3)  $30^\circ, 12^\circ, (x + 4)^\circ$

x = **134**

4)  $(21 - x)^\circ, 120^\circ, 40^\circ$

x = **1**