



Interior Angles

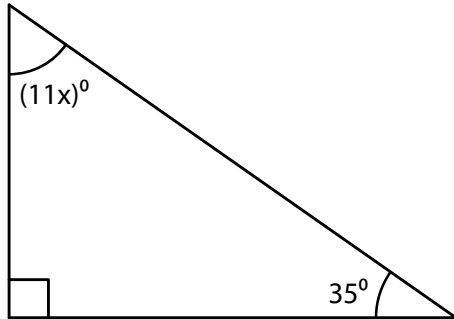
Name _____

Score _____

AT:07

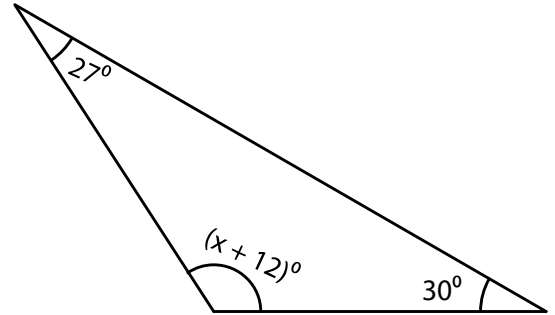
Find the value of x.

1)



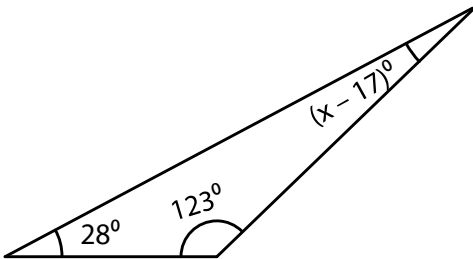
x =

2)



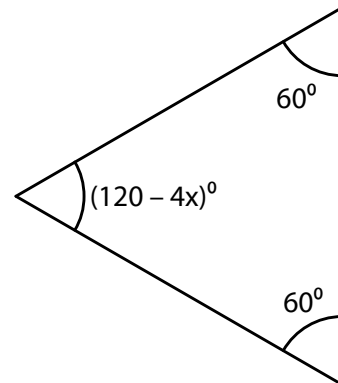
x =

3)



x =

4)



x =

The angles of the triangle are given. Find the value of x.

1) $15^\circ, 60^\circ, (2x + 5)^\circ$

x =

2) $(121 - x)^\circ, 146^\circ, 33^\circ$

x =

3) $(7x)^\circ, 45^\circ, 58^\circ$

x =

4) $47^\circ, (5x - 7)^\circ, 65^\circ$

x =



Interior Angles

Name _____

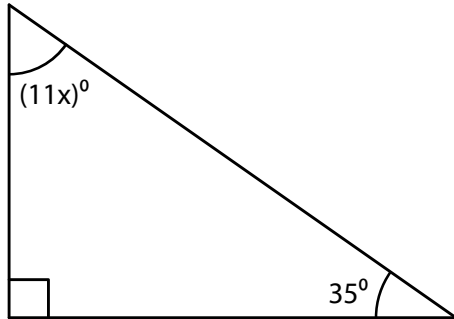
Score _____

Answer key

AT:07

Find the value of x.

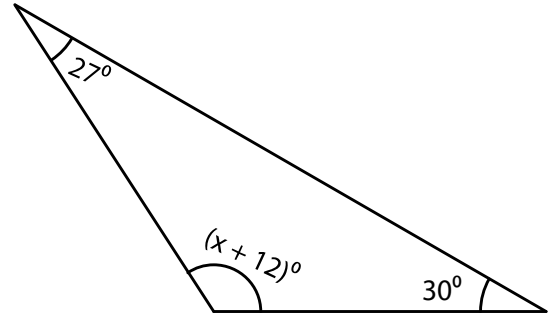
1)



x =

5

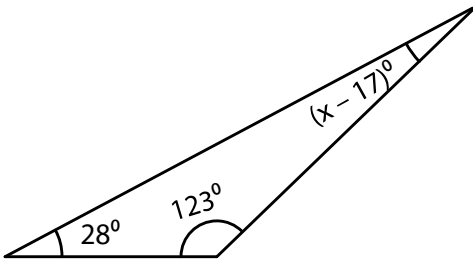
2)



x =

111

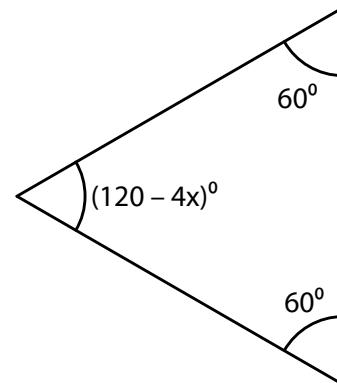
3)



x =

46

4)



x =

15

The angles of the triangle are given. Find the value of x.

1) $15^\circ, 60^\circ, (2x+5)^\circ$

x =

50

2) $(121-x)^\circ, 146^\circ, 33^\circ$

x =

120

3) $(7x)^\circ, 45^\circ, 58^\circ$

x =

11

4) $47^\circ, (5x-7)^\circ, 65^\circ$

x =

15