



Interior Angles

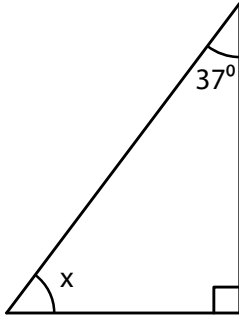
Name _____

Score _____

AT:06

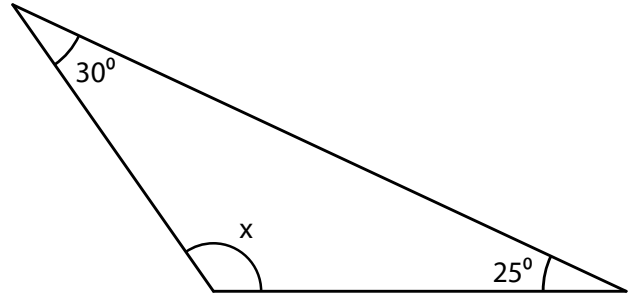
Find the value of x.

1)



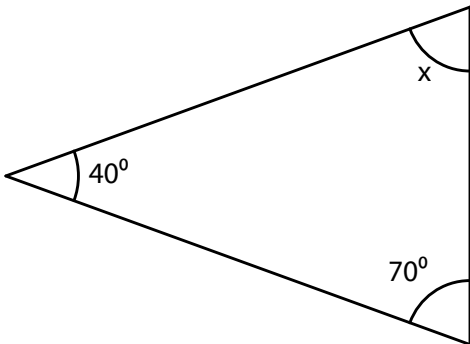
x = _____

2)



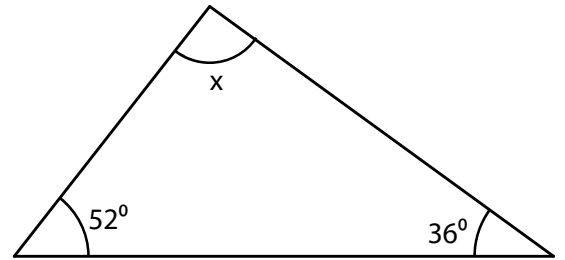
x = _____

3)



x = _____

4)



x = _____

Find the third angle of the triangle using the given two angles.

1) $138^\circ, 2^\circ$

2) $67^\circ, 76^\circ$

3) $41^\circ, 19^\circ$

4) $40^\circ, 70^\circ$

5) $6^\circ, 21^\circ$

6) $57^\circ, 33^\circ$



Interior Angles

Name _____

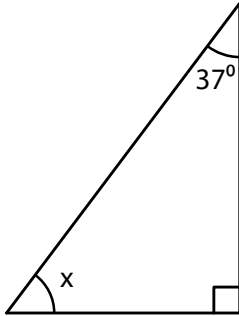
Score _____

Answer key

AT:06

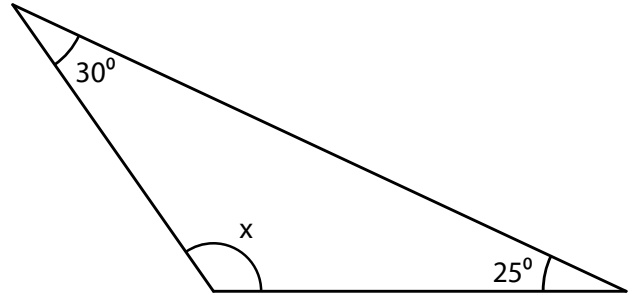
Find the value of x.

1)



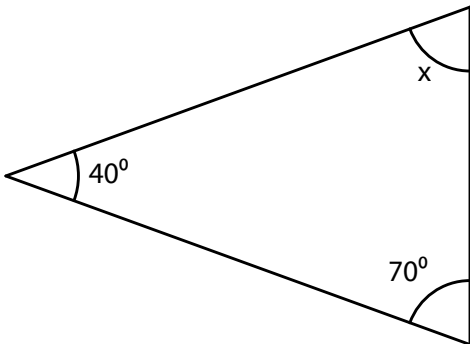
$x = \underline{53^\circ}$

2)



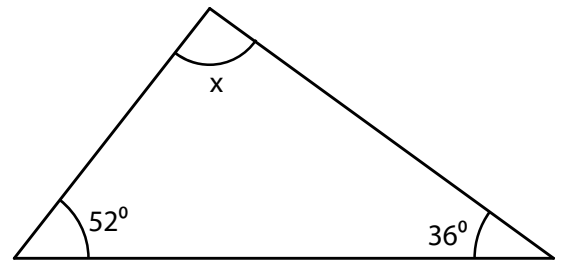
$x = \underline{125^\circ}$

3)



$x = \underline{70^\circ}$

4)



$x = \underline{92^\circ}$

Find the third angle of the triangle using the given two angles.

1) $138^\circ, 2^\circ$

$\underline{40^\circ}$

2) $67^\circ, 76^\circ$

$\underline{37^\circ}$

3) $41^\circ, 19^\circ$

$\underline{120^\circ}$

4) $40^\circ, 70^\circ$

$\underline{70^\circ}$

5) $6^\circ, 21^\circ$

$\underline{153^\circ}$

6) $57^\circ, 33^\circ$

$\underline{90^\circ}$