



Interior Angles

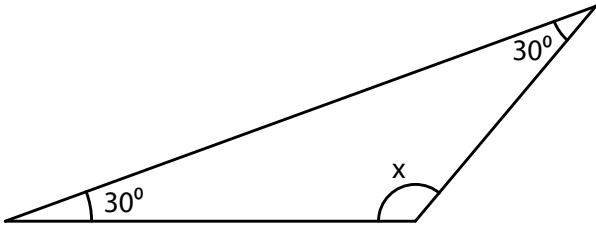
Name _____

Score _____

AT:05

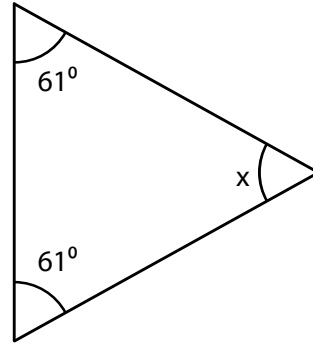
Find the value of x.

1)



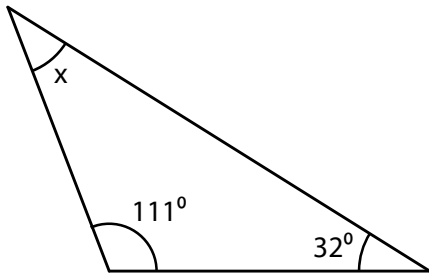
$x =$ _____

2)



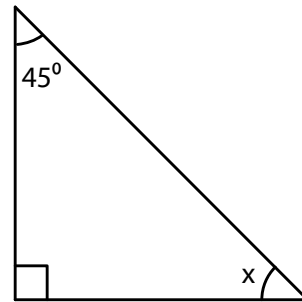
$x =$ _____

3)



$x =$ _____

4)



$x =$ _____

Find the third angle of the triangle using the given two angles.

1) $30^\circ, 40^\circ$

2) $144^\circ, 8^\circ$

3) $78^\circ, 97^\circ$

4) $15^\circ, 25^\circ$

5) $63^\circ, 36^\circ$

6) $50^\circ, 7^\circ$



Interior Angles

Name _____

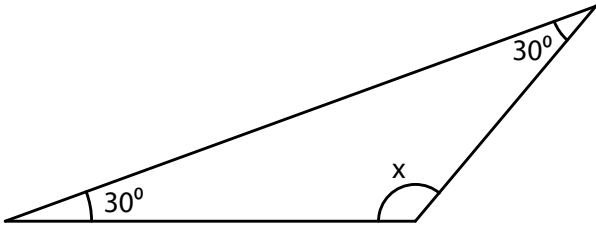
Score _____

Answer key

AT:05

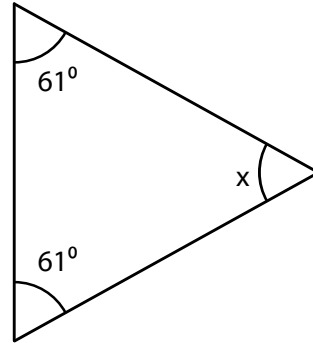
Find the value of x.

1)



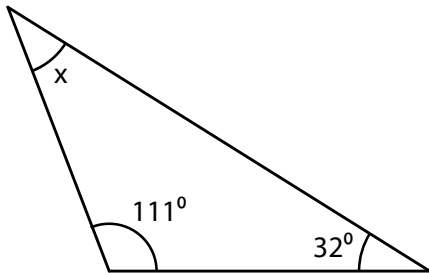
$x = \underline{120^\circ}$

2)



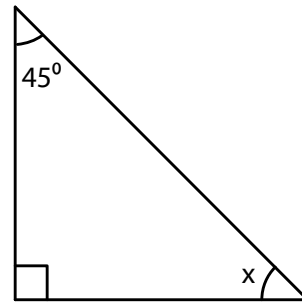
$x = \underline{58^\circ}$

3)



$x = \underline{37^\circ}$

4)



$x = \underline{45^\circ}$

Find the third angle of the triangle using the given two angles.

1) $30^\circ, 40^\circ$

$\underline{110^\circ}$

2) $144^\circ, 8^\circ$

$\underline{28^\circ}$

3) $78^\circ, 97^\circ$

$\underline{5^\circ}$

4) $15^\circ, 25^\circ$

$\underline{140^\circ}$

5) $63^\circ, 36^\circ$

$\underline{81^\circ}$

6) $50^\circ, 7^\circ$

$\underline{123^\circ}$