



Area of Quadrilateral

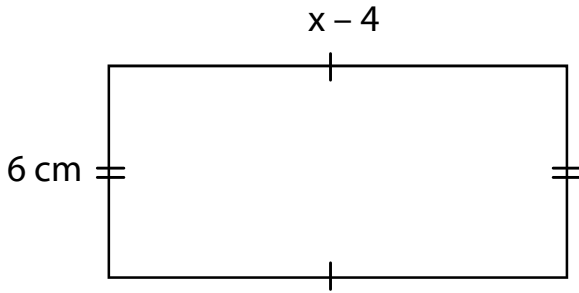
Name _____

Score _____

AQ:23

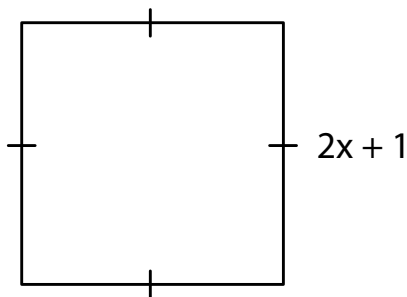
Find x.

1) Area = 96 cm^2



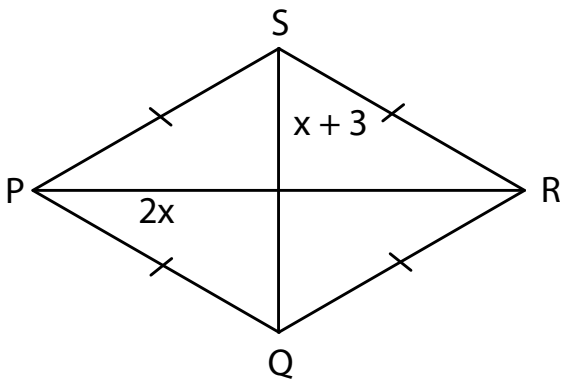
x =

3) Area = 121 m^2



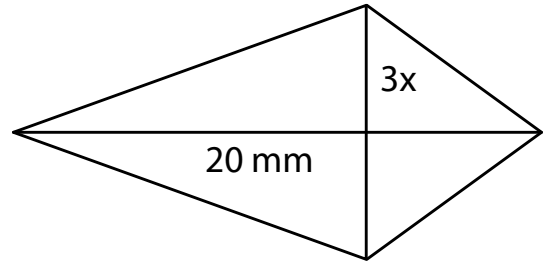
x =

5) Area = 108 mm^2



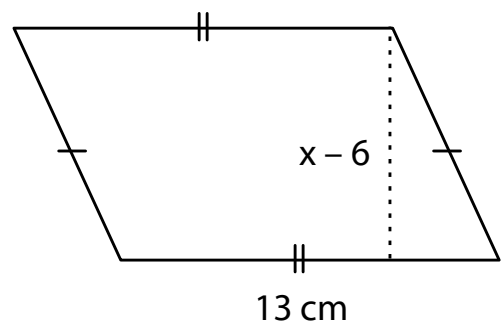
x = _____ ; PR = _____
QS = _____

2) Area = 90 mm^2



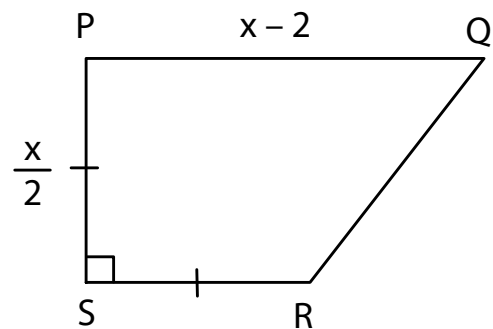
x =

4) Area = 104 cm^2



x =

6) Area = 88 m^2



x = _____ ; RS = _____
PQ = _____



Area of Quadrilateral

Name _____

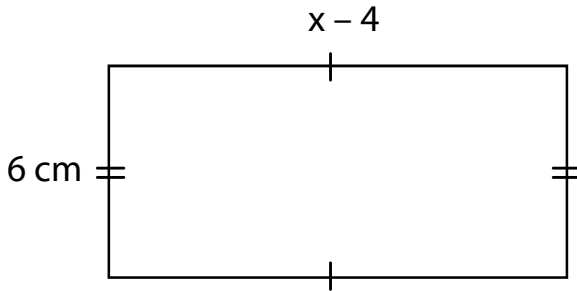
Score _____

Answer key

AQ:23

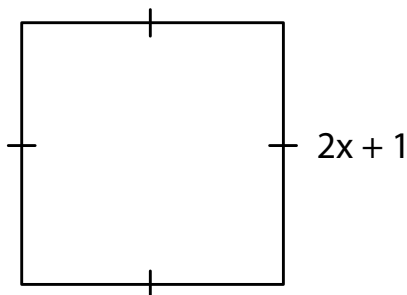
Find x.

1) Area = 96 cm^2



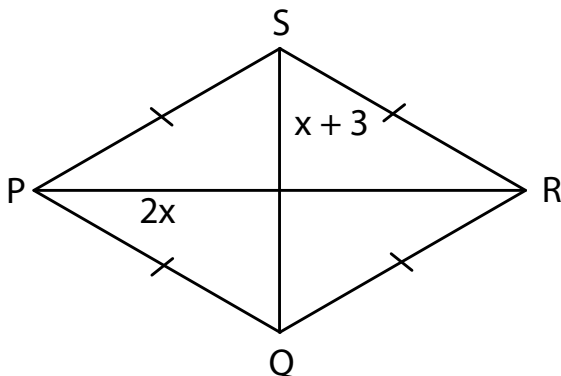
$x =$ 20

3) Area = 121 m^2



$x =$ 5

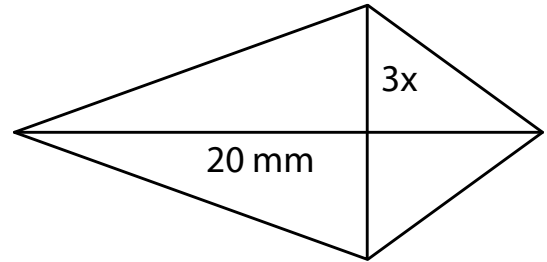
5) Area = 108 mm^2



$x =$ 9 ; PR = 18 mm

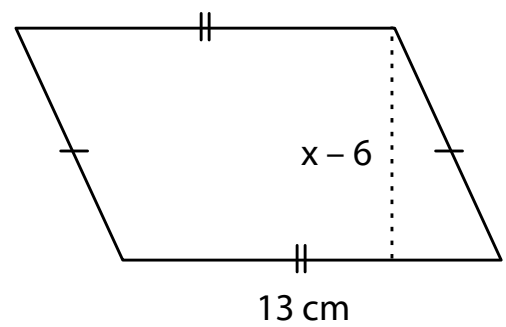
QS = 12 mm

2) Area = 90 mm^2



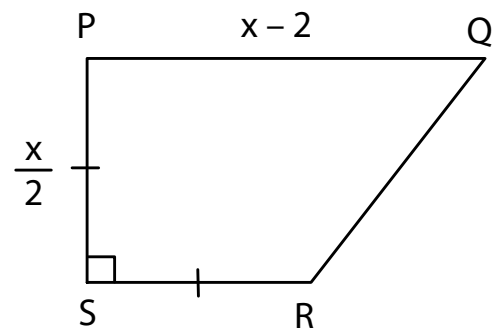
$x =$ 3

4) Area = 104 cm^2



$x =$ 14

6) Area = 88 m^2



$x =$ 16 ; RS = 8 m

PQ = 14 m