



# Area of Quadrilateral

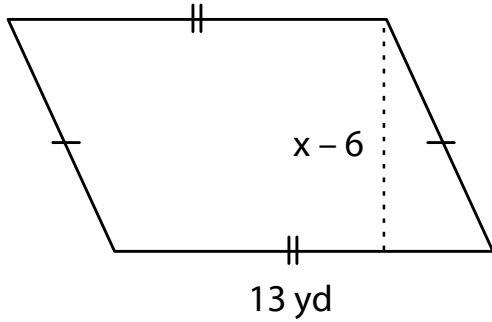
Name \_\_\_\_\_

Score \_\_\_\_\_

AQ:21

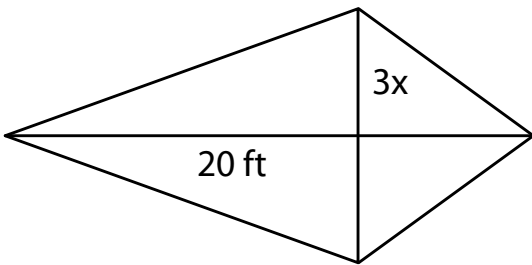
Find x.

1) Area =  $104 \text{ yd}^2$



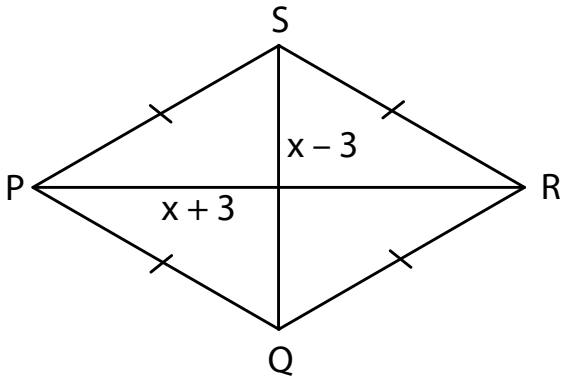
x =

3) Area =  $90 \text{ ft}^2$



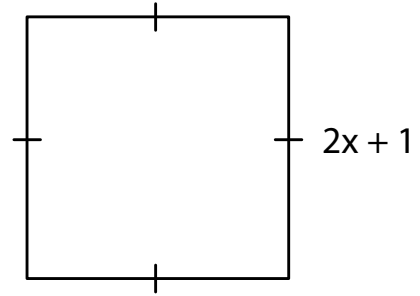
x =

5) Area =  $108 \text{ in}^2$



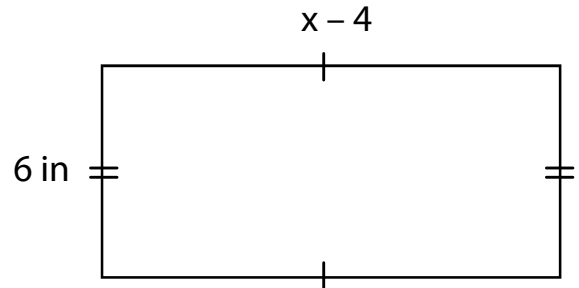
x = \_\_\_\_\_ ; PR = \_\_\_\_\_  
QS = \_\_\_\_\_

2) Area =  $121 \text{ ft}^2$



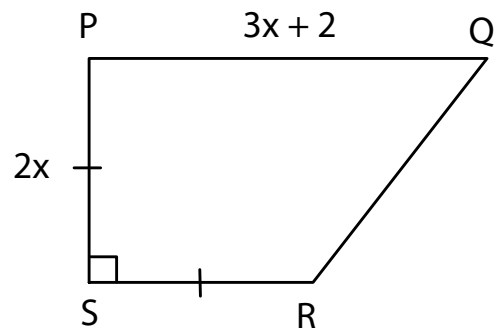
x =

4) Area =  $96 \text{ in}^2$



x =

6) Area =  $88 \text{ yd}^2$



x = \_\_\_\_\_ ; RS = \_\_\_\_\_  
PQ = \_\_\_\_\_



# Area of Quadrilateral

Name \_\_\_\_\_

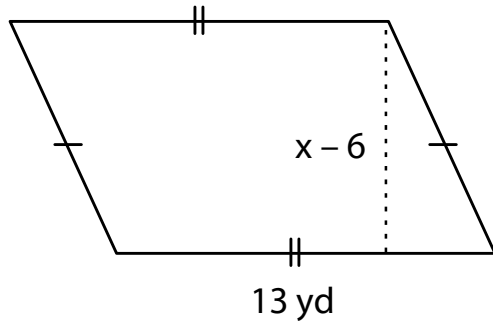
Score \_\_\_\_\_

## Answer key

AQ:21

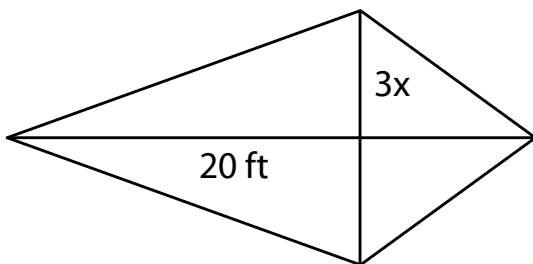
Find x.

1) Area =  $104 \text{ yd}^2$



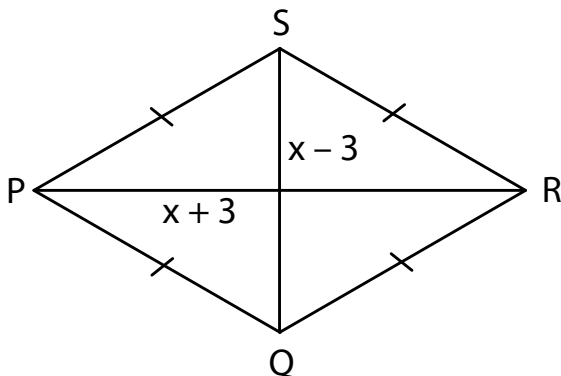
x = **14**

3) Area =  $90 \text{ ft}^2$



x = **3**

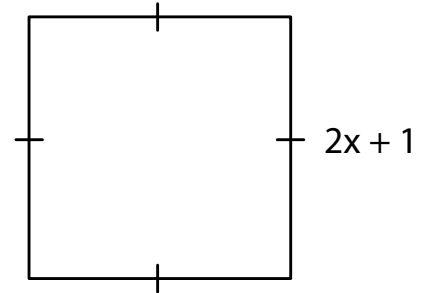
5) Area =  $108 \text{ in}^2$



x = **15** ; PR = **18 in**

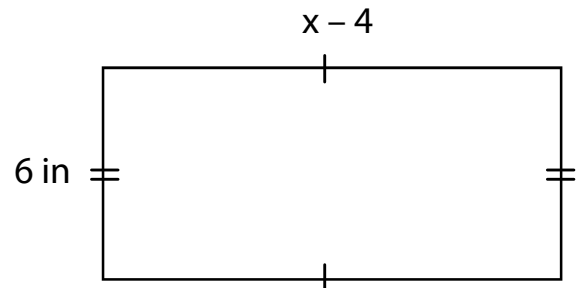
QS = **12 in**

2) Area =  $121 \text{ ft}^2$



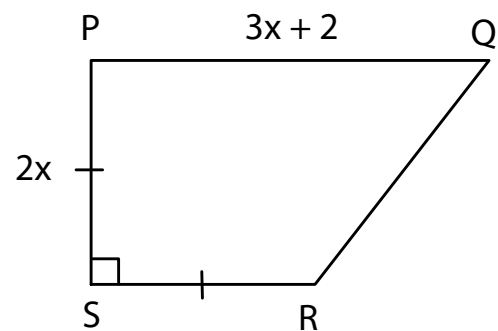
x = **5**

4) Area =  $96 \text{ in}^2$



x = **20**

6) Area =  $88 \text{ yd}^2$



x = **4** ; RS = **8 yd**

PQ = **14 yd**